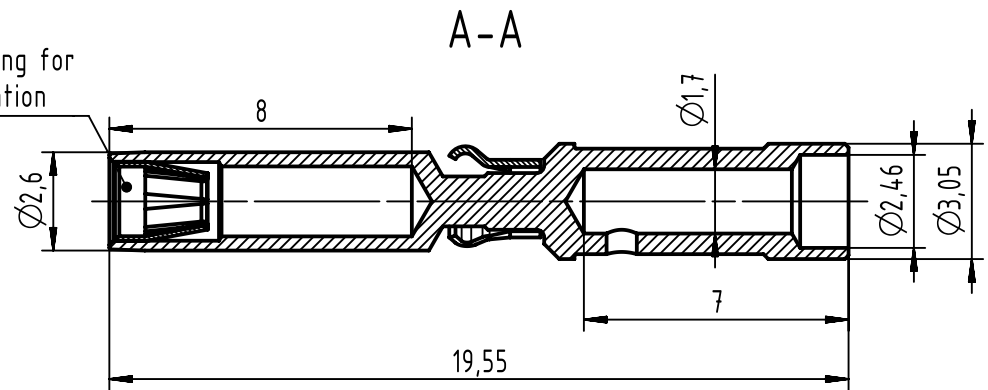


standard spring for contact retention

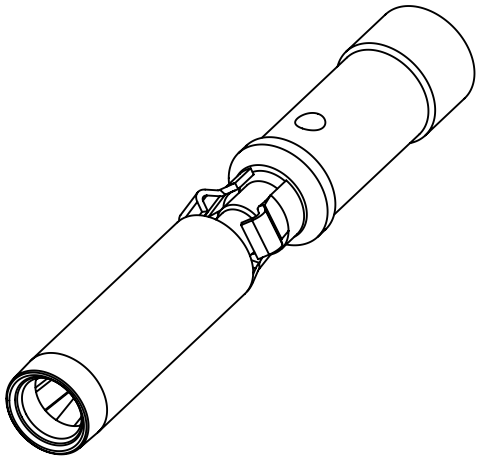



stripping length: 6mm

materials:
 contact body: brass
 standard spring: CuBe2
 retention clip: stainless steel

plating:
 contact body: Ni/Sn
 standard spring: Ni/Au
 retention clip: w/o.

tools:
 crimping tool: 09 46 800 0000
 contact insertion tool: 09 46 800 0099



	All rights reserved Department EL PD	Created by ZWAHR	Inspected by ELLERMANN	Standardisation HOFFMANN	Date 2018-08-27	State Final Release
	HARTING Electronics GmbH D-32339 Espelkamp	Title HPP V4 crimp contact female 1mm ² (AWG18)	Type TB	Number 09465000408	Doc-Key / ECM-Nr. 100507255/UGD/001/C 500000137418	Rev. C