

# JULIE LED IP65

EN	Installation Instructions	HR	Uputstvo za montažu	SE	Installationsanvisning
DE	Montageanleitung	NL	Montagehandleiding	RU	Инструкция по монтажу
CZ	Montážní návod	RO	Instructiuni de montaj	SRB	Instrukcija za instalaciju
DK	Monteringsvejledning	IT	Istuzioni di montaggio	SK	Montážny návod
EE	Paigaldusjuhend	LT	Montavimo Instrukcijos	SLO	Navodilo za montažo
FI	Aseennusohje	LV	Instalācijas instrukcija	CN	安装说明书
FR	Notice de montage	NO	Monteringsanvisning		
HU	Szerelési útmutató	PL	Instrukcja montażu		



1. Installation and commissioning may only be carried out by authorized specialists and wired in accordance with the latest IEE electrical regulations or the national standards.



2. Mains power must be switched off before carrying out installation.

3. The manufacturer, shall not be liable for any damage resulting from inappropriate modifications to the luminaire or faulty installation.

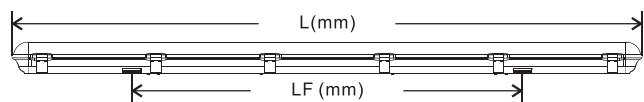


4. Light source can't be replaced.

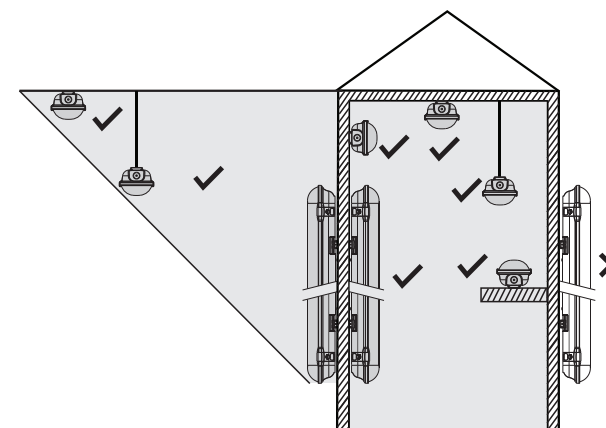
5. Caution, risk of electric shock.

The control gear provides basic insulation between the LV supply and the control circuit.

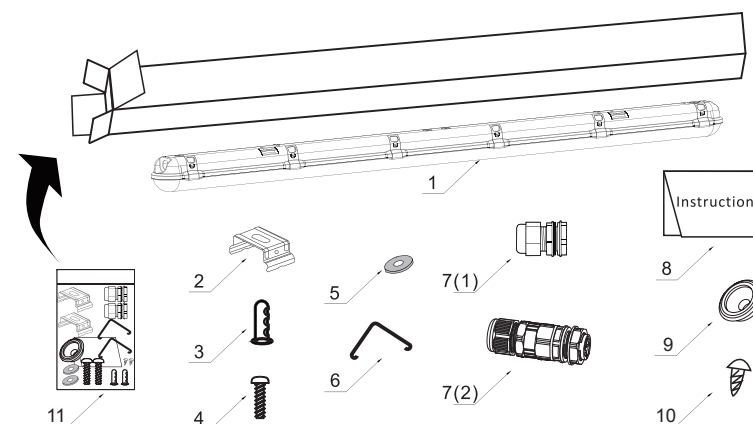
Product Description	Wattage	SAP Code	L	W	H	LF
JULIE 600 LED IP65 2200 840	19W	96628548	632	103	78	395-405
JULIE 1200 LED IP65 3200 840	28W	96631255	1232	85	78	895-905
JULIE 1200 LED IP65 4200 840	38W	96665577	1232	103	78	895-905
JULIE 1500 LED IP65 4200 840	38W	96628396	1532	85	78	945-955
JULIE 1500 LED IP65 6300 840	55W	96665580	1532	103	78	945-955
JULIE 1800 LED IP65 8600 840	76W	96631143	1800	103	78	995-1005
JULIE 1200 LED IP65 4200 840 CONNECT	38W	96665578	1232	103	78	895-905
JULIE 1500 LED IP65 6300 840 CONNECT	55W	96665581	1532	103	78	945-955
JULIE 1800 LED IP65 8600 840 CONNECT	76W	96631300	1800	103	78	995-1005
JULIE 1200 LED IP65 3200 840 E3	28W	96631404	1232	85	78	895-905
JULIE 1200 LED IP65 4200 840 E3	38W	96665579	1232	103	78	895-905
JULIE 1500 LED IP65 4200 840 E3	38W	96628397	1532	85	78	945-955
JULIE 1500 LED IP65 6300 840 E3	55W	96665582	1532	103	78	945-955
JULIE 1800 LED IP65 8600 840 E3	76W	96631144	1800	103	78	995-1005
JULIE 1200 LED IP65 4200 840 COR MWS	38W	96630234	1232	103	78	895-905
JULIE 1500 LED IP65 4200 840 COR MWS	38W	96630235	1532	85	78	945-955
JULIE 1500 LED IP65 6300 840 COR MWS	55W	96630236	1532	103	78	945-955
JULIE 1200 LED IP65 4200 840 COR MWS E3	38W	96631093	1232	103	78	895-905
JULIE 1500 LED IP65 4200 840 COR MWS E3	38W	96631094	1532	85	78	945-955
JULIE 1500 LED IP65 6300 840 COR MWS E3	55W	96631095	1532	103	78	945-955
JULIE 1200 LED IP65 4200 840 TW	38W	96630239	1232	103	78	895-905
JULIE 1500 LED IP65 4200 840 TW	38W	96630240	1532	85	78	945-955
JULIE 1500 LED IP65 6300 840 TW	55W	96630241	1532	103	78	945-955



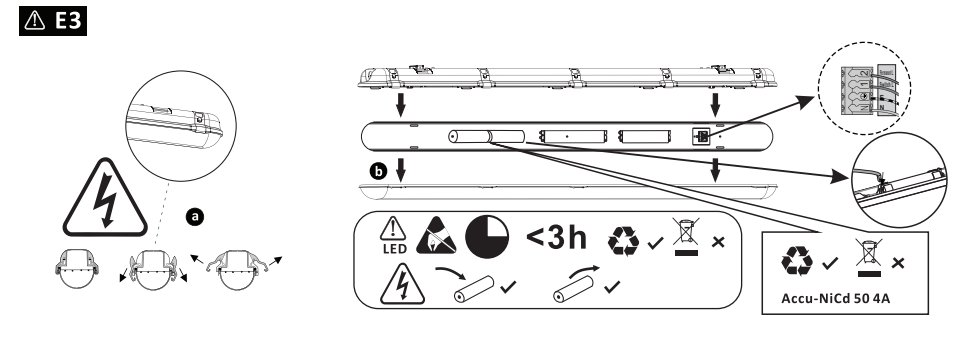
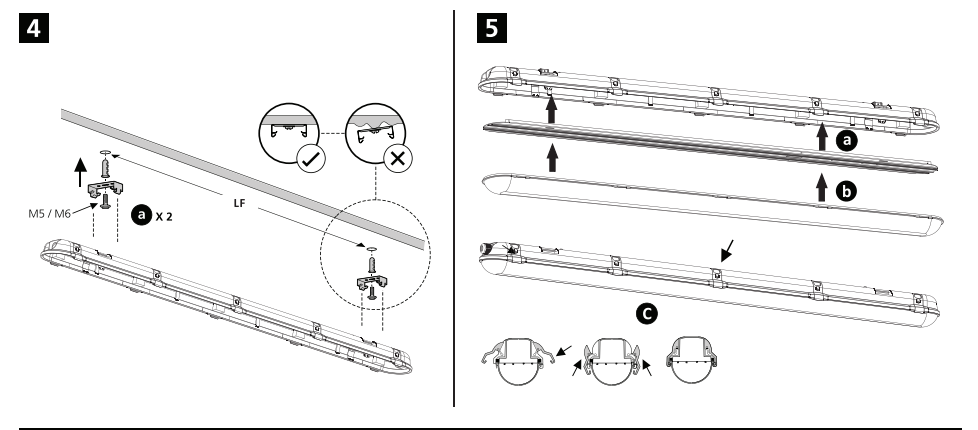
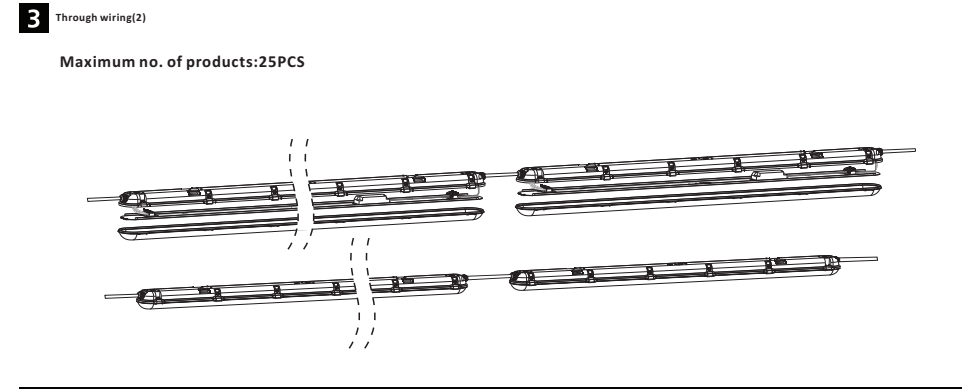
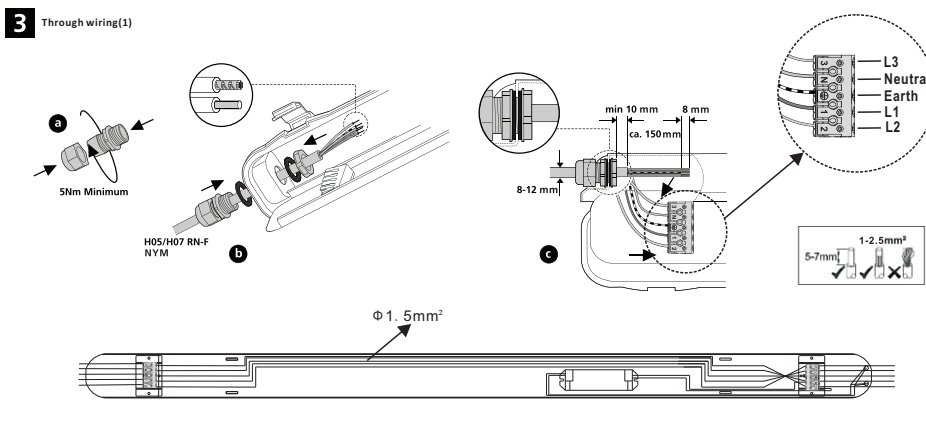
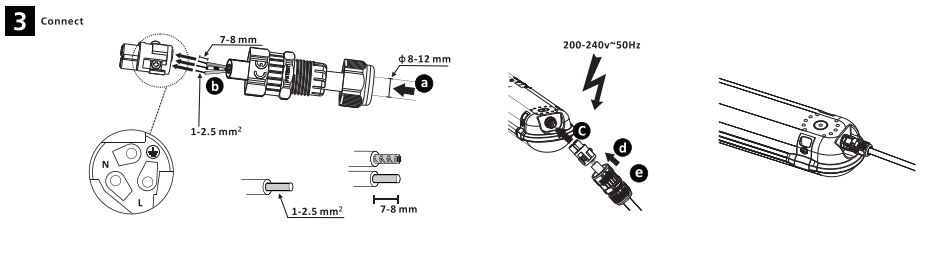
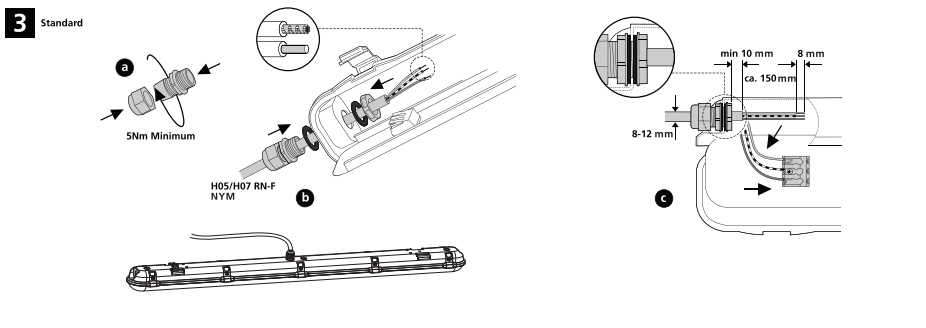
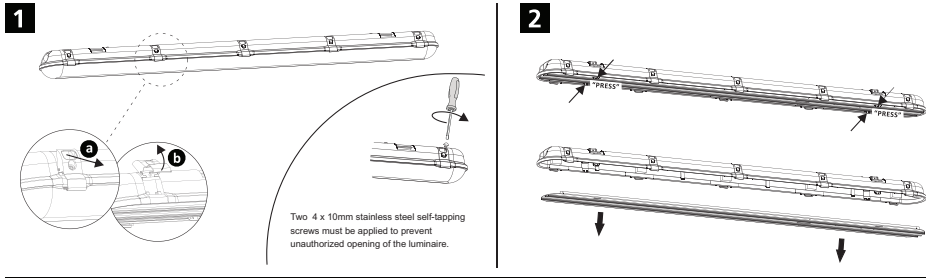
i



1	LED waterproof lighting	X1	7(2) <sup>connect</sup>	Connect	X1
2	SS hook	X2	7(1) <sup>connect</sup>	M20 five-set cable drill	X1
3	plastic expansion	X2	8	Instructions	X1
4	Round head self-drilling screw 5x30	X2	9	Grommet	X1
5	Flat gasket 12x6/Center hole 6mm	X2	10	4 x 10mm stainless steel self-tapping screw	X2
6	Triangle hook	X2	11	Accessory bag	X1
7(1) <sup>standard</sup>	M20 five-set cable drill	X2			



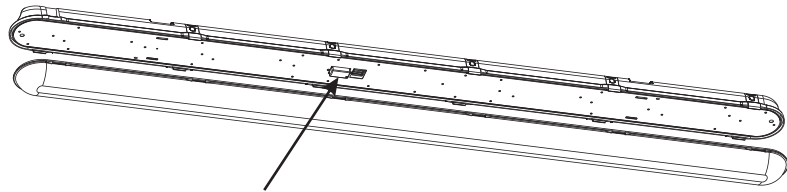
# JULIE LED IP65



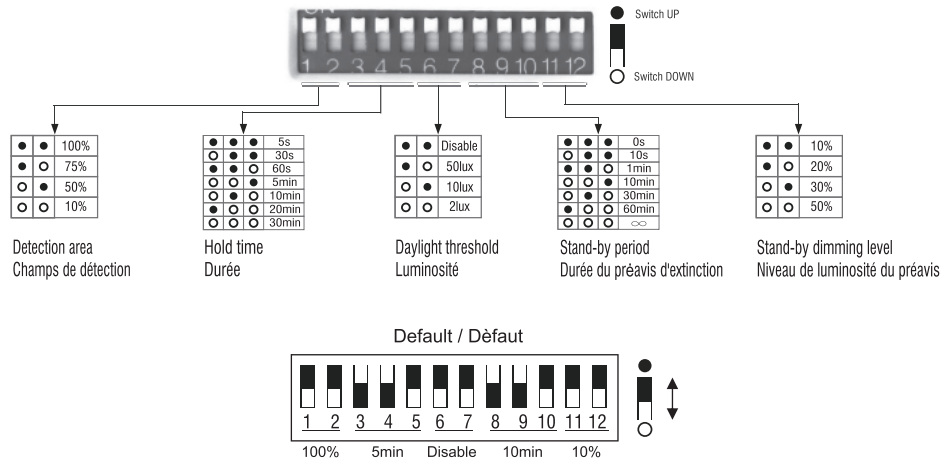
Thorn Lighting Limited, Durhamgate, Spennymoor, Co Durham, DL16 6HL, UK  
 Zumtobel Lighting GmbH, Schweizerstrasse 30, 6850 Dornbirn, Austria  
 URL: www.thorn-eco.com

# JULIE LED IP65

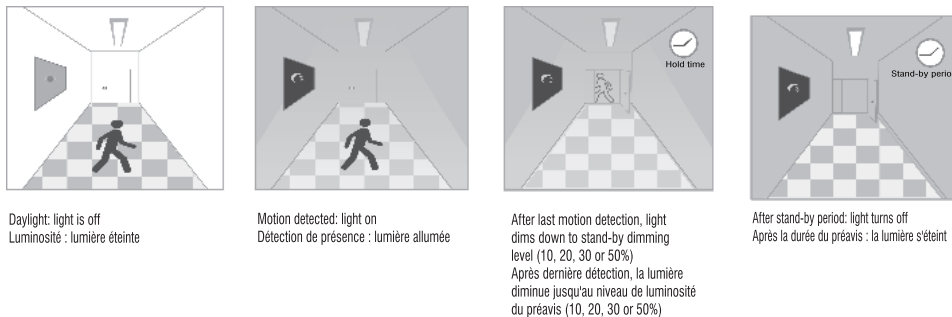
## MWS



### Settings



### Application



### Detection coverage/Champs de détection

#### Ceiling Mounted/Installation au plafond

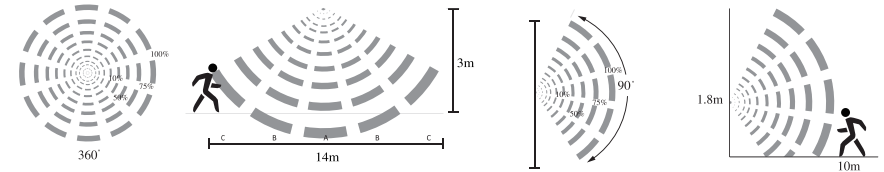
Top View/Vue de dessus

Side View/Vue de côté

#### Wall Mounted/Installation au mur

Top View/Vue de dessus

Side View/Vue de côté



NOTE: Above detection coverage is recommended, actual coverage may vary depending on luminaire configuration and environmental conditions.

NB : Ci-dessus champs de détection envisagé, le champ réel dépendra de la configuration du luminaire et de son environnement