

## Panel mounting socket outlet, angled - flange 100x92, fixing centers 85x77

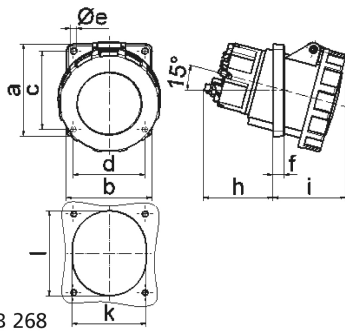


Product description	
BALS-Prd.-Nr	120274
EAN	4024941146845
Product category	TE panel mounting socket outlet Quick-Connect, angled
Current	63A
Number of poles	5p
Arrangement of phases	3p+N+PE
Position of earth contact	6 h
Voltage	200/346 - 240/415V~

<b>Product description</b>	
Frequency	50/60Hz
Protection degree	IP67
Colour code	red RAL 3000
Colour of appliance	Hinged lid red RAL 3000, Bayonet ring grey RAL 7035, Enclosure grey RAL 7035
Connection design	screwless spring terminal with box terminals and kontext-contact
Maximum conductor size	25.0 qmm
Cable entry	other
Height	120mm
Width	111mm
Depth	168mm
Flange size vertical in mm	100mm
Flange size horizontal in mm	92mm
Drill hole dist. vertical mm	85mm
Drill hole dist. horizontal mm	77mm
Material of enclosure	Polyamide
Contacts	The contact carrier is made of high temperature resistant material, the contacts are brass nickel plated

<b>Additional technical properties</b>	
	The inclination is 15°

Logistics data	
Weight/pcs	0.645 kg / Piece
Packaging	Bag
Content amount	1 ST
EAN	4024941146845
Length	168 mm
Width	111 mm
Height	120 mm
Weight	0.646 kg
Volume	2,237.76 ccm
Packaging	Carton
Content amount	10 ST
EAN	4024941949941
Length	295 mm
Width	185 mm
Height	215 mm
Weight	6.614 kg
Volume	9,975 ccm



4 MB 268

Ampere	63	63				
Polzahl	4	5				
a	100,0	100,0				
b	92,0	92,0				
c	85,0	85,0				
d	77,0	77,0				
e ø	6,5	6,5				
f	12,0	12,0				
h	74,0	74,0				
i	80,0	80,0				
k	80,0	80,0				
l	92,0	92,0				
Leiter mm <sup>2</sup> min	6	6				
Leiter mm <sup>2</sup> max	25	25				