

Han 24DD-SMC-MI-CRT

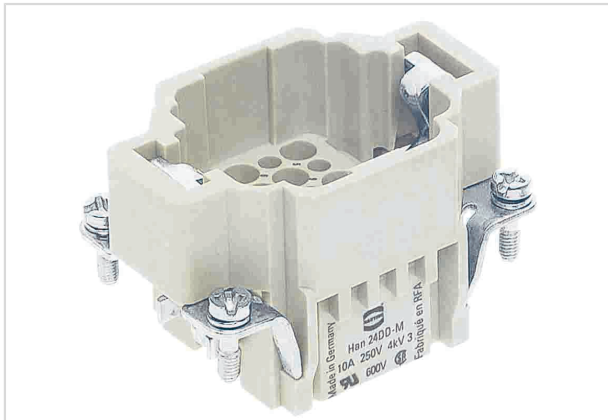


Image is for illustration purposes only. Please refer to product description.

Part number	09 16 024 3001
Specification	Han 24DD-SMC-MI-CRT
HARTING eCatalogue	https://b2b.harting.com/09160243001

Identification

Category	Inserts
Series	Han DD®

Version

Termination method	Crimp termination
Gender	Male
Size	6 B
Number of contacts	24
PE contact	Yes
Details	Please order crimp contacts separately.

Technical characteristics

Conductor cross-section	0.14 ... 2.5 mm ²
Rated current	10 A
Rated voltage	250 V
Rated impulse voltage	4 kV
Pollution degree	3
Rated voltage acc. to UL	600 V
Rated voltage acc. to CSA	600 V
Insulation resistance	>10 ¹⁰ Ω
Limiting temperature	-40 ... +125 °C
Mating cycles	≥500



Pushing Performance
Since 1945

Material properties

Colour (insert)	RAL 7032 (pebble grey)
Material flammability class acc. to UL 94	V-0
RoHS	compliant
ELV status	compliant
China RoHS	e
REACH Annex XVII substances	Not contained
REACH ANNEX XIV substances	Not contained
REACH SVHC substances	Not contained
California Proposition 65 substances	Yes
California Proposition 65 substances	Lead Nickel
Fire protection on railway vehicles	EN 45545-2 (2020-08)
Requirement set with Hazard Levels	R22 (HL 1-3) R23 (HL 1-3)

Specifications and approvals

Specifications	IEC 60664-1 IEC 61984
Approvals	DNV GL
UL / CSA	UL 1977 ECBT2.E235076 CSA-C22.2 No. 182.3 ECBT8.E235076

Commercial data

Packaging size	1
Net weight	38 g
Country of origin	Romania
European customs tariff number	85389099
GTIN	5713140023727
eCl@ss	27440205 Contact insert for industrial connectors