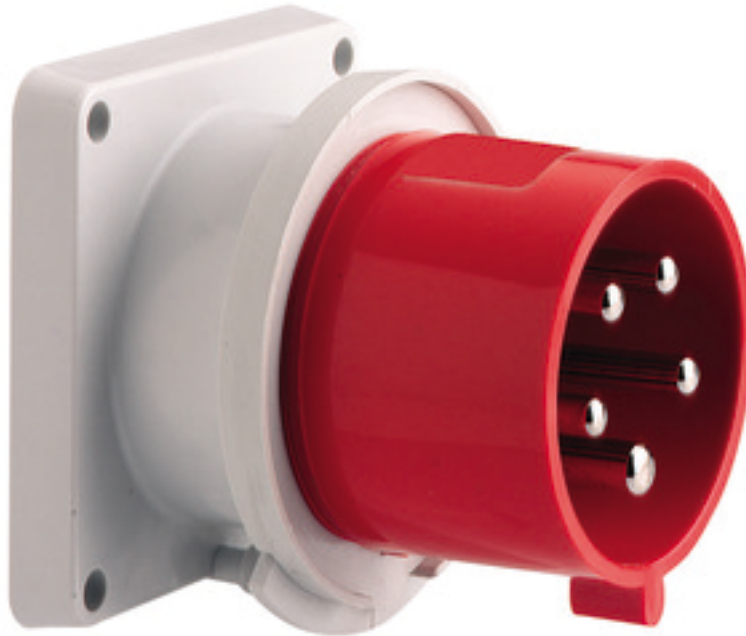


Panel mounting appliance inlet, straight - flange 85x85, fixing centers 70x70

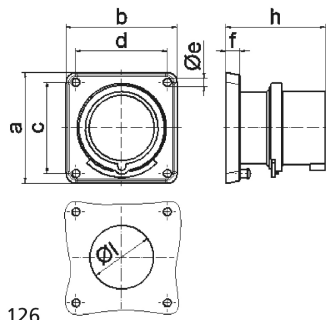


| Product description | |
|---------------------------|--|
| BALS-Prd.-Nr | 28108 |
| EAN | 4024941281089 |
| Product category | Panel mounting appliance inlet, straight |
| Current | 32A |
| Number of poles | 5p |
| Arrangement of phases | 3p+N+PE |
| Position of earth contact | 6 h |
| Voltage | 200/346 - 240/415V~ |

| Product description | |
|--------------------------------|--|
| Frequency | 50/60Hz |
| Protection degree | IP44 |
| Colour code | red RAL 3000 |
| Colour of appliance | Collar red RAL 3000, Enclosure grey RAL 7035 |
| Connection design | with screw terminal |
| Maximum conductor size | 6,0 qmm |
| Cable entry | other |
| Height | 88mm |
| Width | 85mm |
| Depth | 86mm |
| Flange size vertical in mm | 85mm |
| Flange size horizontal in mm | 85mm |
| Drill hole dist. vertical mm | 70mm |
| Drill hole dist. horizontal mm | 70mm |
| Material of enclosure | Polyamide |
| Contacts | The contact carrier is made of polyamide, The contacts are brass |

| Additional technical properties | |
|---------------------------------|---|
| | A retaining device to match the hinged cover of the connector must be provided to ensure the latching feature |

| Logistics data | |
|----------------|-----------------|
| Weight/pcs | 0.24 kg / Piece |
| Packaging | Bag |
| Content amount | 1 ST |
| EAN | 4024941281089 |
| Length | 86 mm |
| Width | 85 mm |
| Height | 88 mm |
| Weight | 0.241 kg |
| Volume | 643.28 ccm |
| Packaging | Carton |
| Content amount | 10 ST |
| EAN | 4024941940498 |
| Length | 258 mm |
| Width | 183 mm |
| Height | 212 mm |
| Weight | 2.552 kg |
| Volume | 8,750 ccm |



5 MB 126

| Ampere | 16 | 16 | 16 | 32 | 32 | 32 |
|----------------------------|------|------|------|------|------|------|
| Polzahl | 3 | 4 | 5 | 3 | 4 | 5 |
| a | 85,0 | 85,0 | 85,0 | 85,0 | 85,0 | 85,0 |
| b | 85,0 | 85,0 | 85,0 | 85,0 | 85,0 | 85,0 |
| c | 70,0 | 70,0 | 70,0 | 70,0 | 70,0 | 70,0 |
| d | 70,0 | 70,0 | 70,0 | 70,0 | 70,0 | 70,0 |
| e ø | 6,3 | 6,3 | 6,3 | 6,3 | 6,3 | 6,3 |
| f | 11,0 | 11,0 | 11,0 | 11,0 | 11,0 | 11,0 |
| h | 75,5 | 75,0 | 76,5 | 85,0 | 85,0 | 85,0 |
| l ø | 49,0 | 49,0 | 49,0 | 49,0 | 49,0 | 49,0 |
| Leiter mm ² min | 1 | 1 | 1 | 2,5 | 2,5 | 2,5 |
| Leiter mm ² max | 2,5 | 2,5 | 2,5 | 6 | 6 | 6 |
| | | | | | | |
| | | | | | | |