

## Han 16HPR-Mounting Frame f.4xHC250

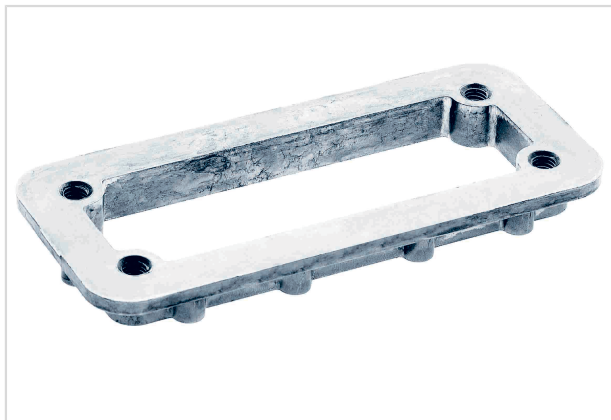


Image is for illustration purposes only. Please refer to product description.

Part number	09 40 000 9956
Specification	Han 16HPR-Mounting Frame f.4xHC250
HARTING eCatalogue	<a href="https://b2b.harting.com/09400009956">https://b2b.harting.com/09400009956</a>

### Identification

Category	Accessories
Type of accessory	Mounting frames
Description of the accessory	Han <sup>®</sup> HPR Thread M6

### Version

Size	16 B
------	------

### Material properties

Material (accessories)	Aluminium
RoHS	compliant
ELV status	compliant
China RoHS	e
REACH Annex XVII substances	Not contained
REACH ANNEX XIV substances	Not contained
REACH SVHC substances	Not contained
California Proposition 65 substances	Yes

### Commercial data

Packaging size	1
Net weight	60.55 g
Country of origin	Germany
European customs tariff number	85389099



**Pushing Performance**  
Since 1945

## Commercial data

GTIN	5713140057012
eCl@ss	27440210 Fixing element for industrial connectors