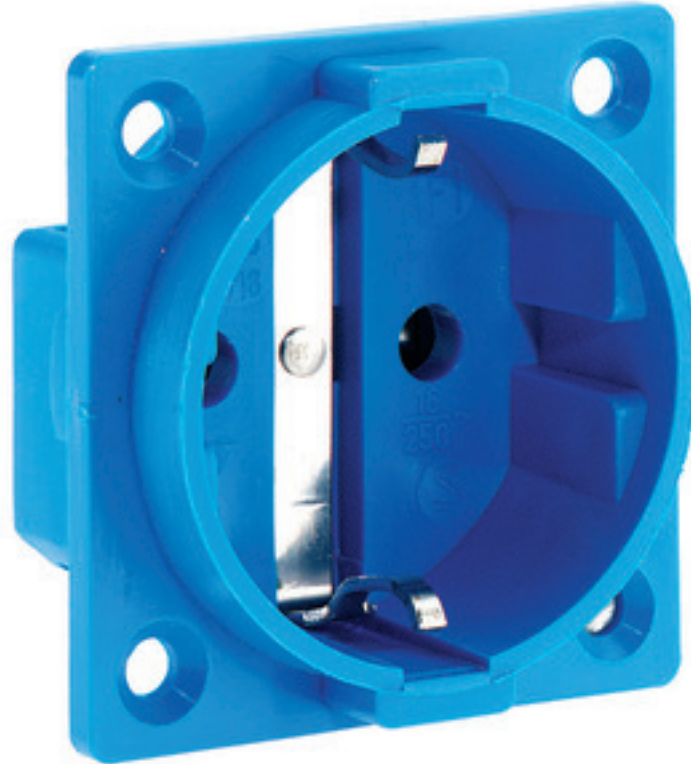


Panel mounting socket outlet, straight - flange 50x50, without hinged cover

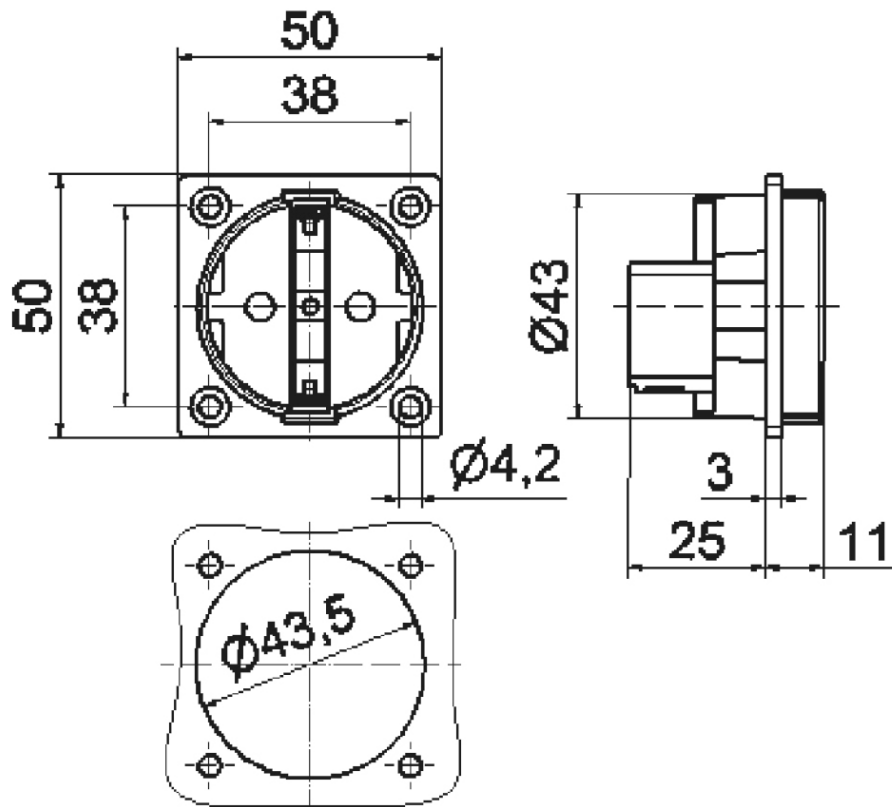


Product description	
BALS-Prd.-Nr	713
EAN	4024941007139
product category (PG)	Domestic panel mounting socket outlet, straight, System F German standard
current (A)	16A
number of poles (P99)	3p
number of poles (P)	2P+PE
voltage (V)	250V
frequency (HZ)	alternating current (AC)

Product description	
protection degree (SA)	IP20
colour code 1 (KF1)	blue RAL 5015
Colour of appliance	Enclosure blue RAL 5015
connection design (AT)	head-screw terminal
maximum conductor size (LQ)	4,0 qmm
cable entry (KE)	other
Height	50mm
Width	50mm
Depth	36mm
Flange size vertical	50mm
Flange size horizontal	50mm
Drill hole distance vertical	38mm
Drill hole distance horizontal	38mm
material of enclosure (GM)	Polyamide
contact	The contact carrier is made of polyamide, the contacts are brass nickel plated

Additional technical properties	
	The connection is rear
	Without hinged lid

Logistics data	
Weight/pcs	0.037 kg / Piece
Packaging	Bag
Content amount	1 ST
EAN	4024941007139
Length	36 mm
Width	50 mm
Height	50 mm
Weight	0.038 kg
Volume	90 ccm
Packaging	Carton
Content amount	20 ST
EAN	4024941835572
Length	276 mm
Width	174 mm
Height	80 mm
Weight	0.852 kg
Volume	2,808 ccm



18 MB 1