

Wall mounting socket outlet - housing dimensions 87x64 lockable



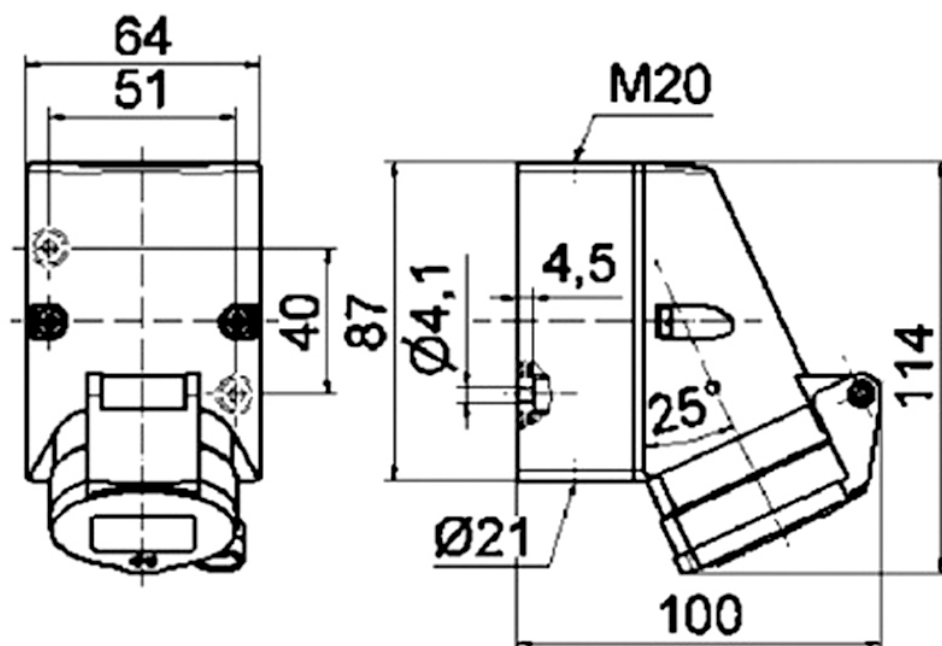
Product description	
BALS-Prd.-Nr	119
EAN	4024941001199
Product category	Wall mounting socket outlet
Current	16A
Number of poles	3p
Poles	2P+PE
Position of earth contact	6 h
Voltage	200 up to 250V

Product description	
Frequency	50 and 60Hz
Protection degree	IP44
Colour code	blue RAL 5015
Colour of appliance	Hinged lid blue RAL 5015, Housing bottom grey RAL 7035, Housing top grey RAL 7035
Connection design	with screw terminal
Maximum conductor size	4,0 qmm
Cable entry	top entry M20
Height	118mm
Width	64mm
Depth	104mm
Dimension of enclosure	87x64 mm (HxW)
Material of enclosure	Polyamide
Contact	The contact carrier is made of polyamide, The contacts are brass

Additional technical properties	
	The cable entry is one at top open and one at bottom and one rear side closed
	Lockable with padlock bow diameter 5 mm, Lower part of housing rotatable by 180°

Logistics data	
Weight/pcs	0.182 kg / Piece

Logistics data	
Packaging	Bag
Content amount	1 ST
EAN	4024941001199
Length	104 mm
Width	64 mm
Height	118 mm
Weight	0.183 kg
Volume	785.408 ccm
Packaging	Carton
Content amount	10 ST
EAN	4024941968348
Length	258 mm
Width	183 mm
Height	212 mm
Weight	1.972 kg
Volume	8,750 ccm



1 MB 53