

## Plug - with TE screw terminals, for harsh applications



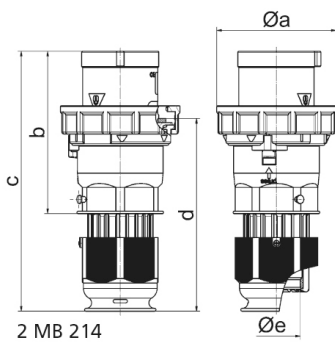
Product description	
BALS-Prd.-Nr	21966
EAN	4024941219662
Product category	TE plug
Current	125A
Number of poles	5p
Arrangement of phases	3p+N+PE
Position of earth contact	1 h
Voltage	> 50V for all other not classified voltages and/or frequencies. This time position can additionally process in special applications, in which a distinction to standardized positions needed to be used.

Product description	
Protection degree	IP67
Colour code	gray RAL 7035
Colour of appliance	Pusher grey RAL 7035, Bayonet ring grey RAL 7035, Housing cover grey RAL 7035, Cable gland grey RAL 7035, Collar grey RAL 7035
Connection design	screw terminal as box terminal
Maximum conductor size	50.0 qmm
Cable entry	Cable gland
Height	273mm
Width	126mm
Depth	126mm
Material of enclosure	Polyamide
Contacts	The contact carrier is made of high temperature resistant material, the contacts are brass nickel plated

Additional technical properties	
	For cable diameter from 26 up to max. 50 mm, Multi-Grip cable gland with gasket, integrated cable clamp and additional water evacuation openings

Logistics data	
Weight/pcs	1.3 kg / Piece
Packaging	Bag
Content amount	1 ST
EAN	4024941219662

Logistics data	
Length	126 mm
Width	126 mm
Height	273 mm
Weight	1.301 kg
Volume	4,334.148 ccm
Packaging	Carton
Content amount	5 ST
EAN	4024941836289
Length	345 mm
Width	345 mm
Height	217 mm
Weight	6.835 kg
Volume	24,276 ccm



Ampere	125	125	125				
Polzahl	3	4	5				
a ø	126,0	126,0	126,0				
b	181,0	181,0	181,0				
c	282,0	282,0	282,0				
d	206,0	206,0	206,0				
e ø	50,0	50,0	50,0				
Leiter mm <sup>2</sup> min	16	16	16				
Leiter mm <sup>2</sup> max	50	50	50				