

# RECHARGEABLE SEALED LEAD ACID BATTERY

# SPECIFICATION



## MP0,8-12H

**Nominal Voltage (V)** 12V

**Nominal Capacity**

20 hour rate	(0.04A to 10.50V)	0.80Ah
10 hour rate	(0.076A to 10.50V)	0.76Ah
5 hour rate	(0.136A to 10.20V)	0.68Ah
1 C	(0.8A to 9.60V)	0.45Ah
3 C	(2.4A to 9.60V)	0.32Ah

**Weight Approx.** 370g (0.82lbs)

**Internal Resistance (at 1KHz) Approx.** 125 mΩ

**Maximum Discharge Current for 5 seconds:** 12A

**Charging Methods at 25°C (77°F)**

Cycle use:	
Charging Voltage	14.70V to 14.80V
Coefficient	-5.0mv/°C/cell
Maximum Charging Current:	0.24A
Standby use:	
Float Charging Voltage	13.50V to 13.80V
Coefficient	-3.0mv/°C/cell

**Operating Temperature Range**

Charge	-15°C (5°F) to 40°C (104°F)
Discharge	-15°C (5°F) to 50°C (122°F)
Storage	-15°C (5°F) to 40°C (104°F)

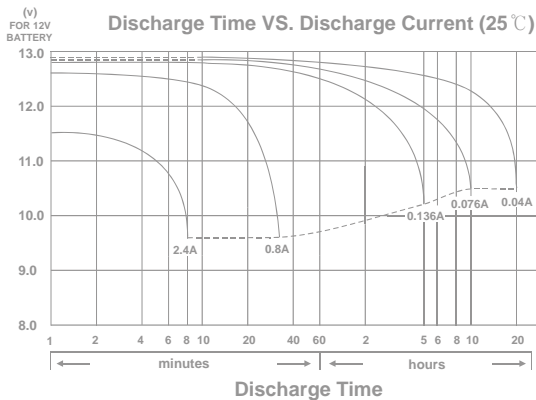
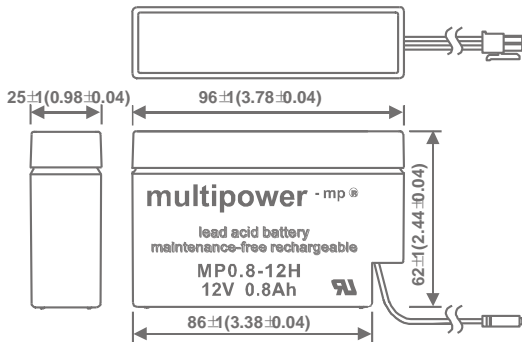
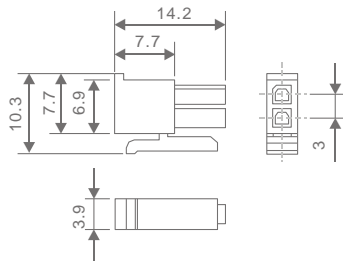
**Charge Retention (shelf life) at 20°C (68°F)**

1 month	92%
3 month	90%
6 month	80%

**Case Material** ABS  
(UL94 HB flame retardant case / cover)

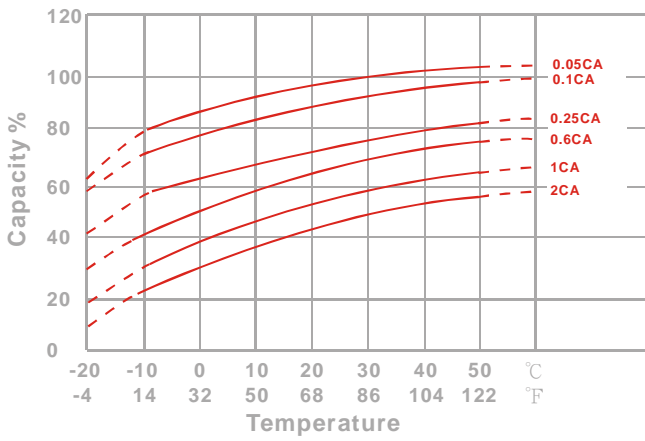
**Terminal** WIRE

Wi50-187

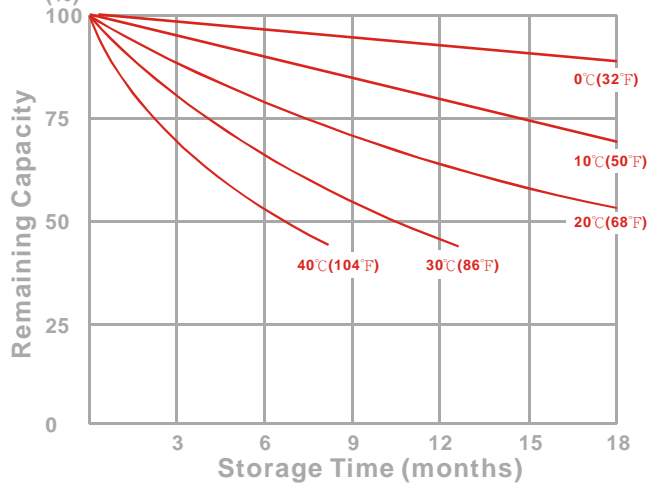


# CHARACTERISTIC

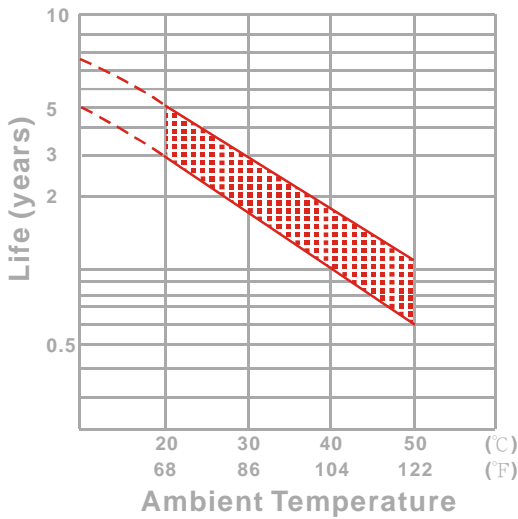
Effect of Temperature on Capacity 25°C(77°F)



Capacity Retention Characteristic



Trickle (or float) Service Life



Cycle Service Life

