

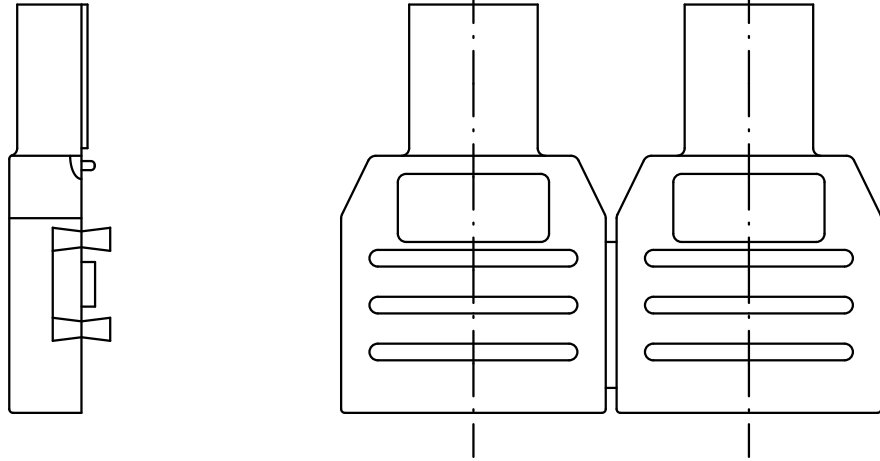
4

3

2

1

E



D

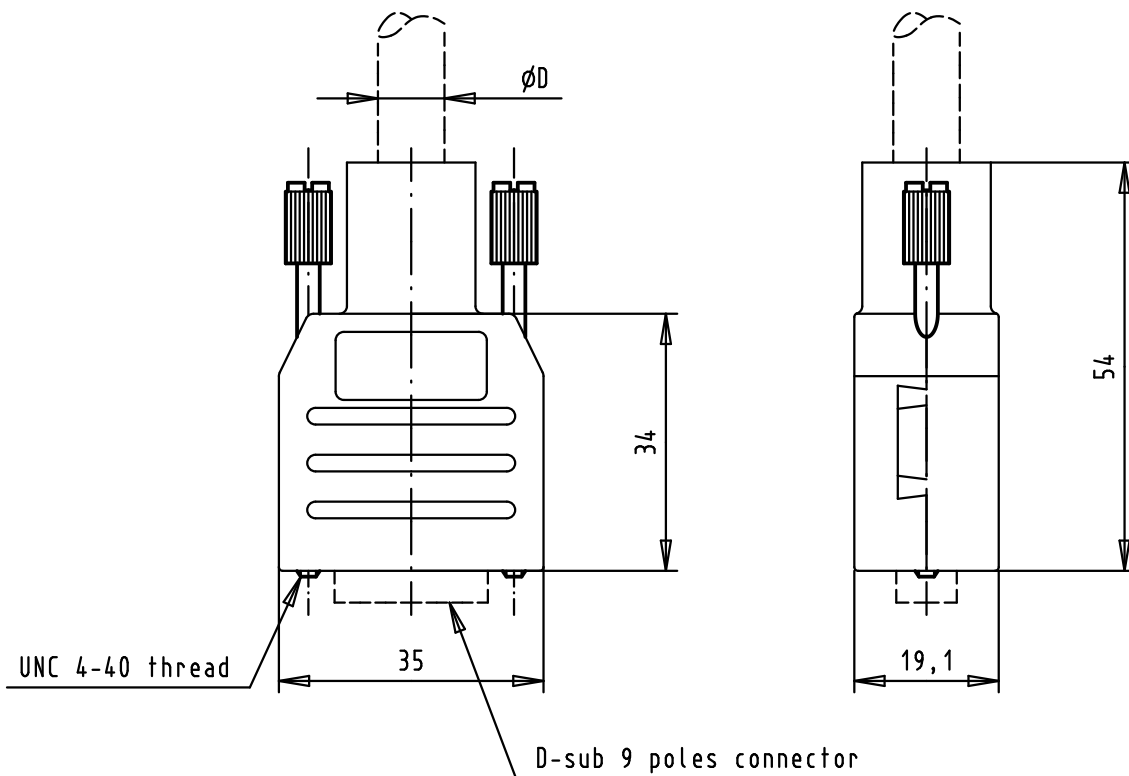
assembly with internal metal screen 09 67 009 0421 and cable:

recommended cable outer ϕ D:

D min = 6,1 mm

D max = 8,8 mm

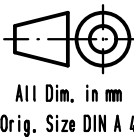
C



B

A

| | | |
|---------|----------|------|
| | Dot. | Name |
| Detail. | 02/12/04 | TR |
| Insp. | | |
| Stand. | | |



All Dim. in mm
Orig. Size DIN A 4

D-sub 9 poles
Black plastic Cover
including 2 jack screws

Maßstab/
Scale

1:1

| | | |
|-------|----------|------|
| 32480 | 02/12/04 | TR |
| Mod. | Dot. | Name |

HARTING EURL
F-95972 Paris



TB 09 67 009 0422

Sub.

Blatt/ Page

1 / 1