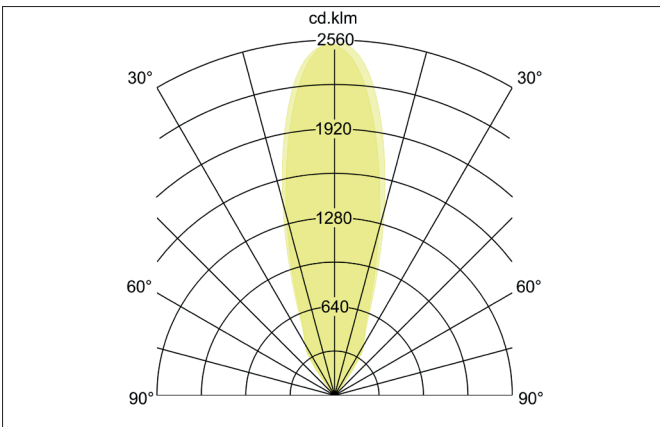
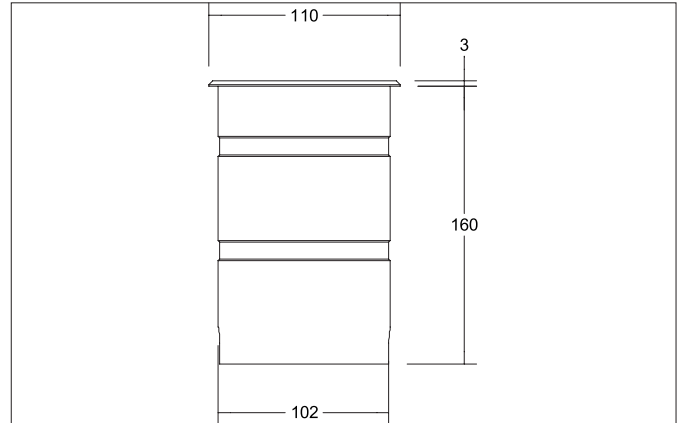


BOLED LED-floor recessed light, V4A, IP67
Article no. 14054223

Light.
 For Generations.



Tender
 LED-floor recessed light, V4A, IP67, Round. Installation opening Ø 102 mm, Installation depth 160 mm, Weight 1,507 Kg, with rotattions-symmetrical, deep, wide distributed light intensity. optimal light distribution due to a glass transparent cover. Luminous flux 1.320, lm, Power 1 x 15 W, System Efficiency 88 lm/W, Light colour warm white, Correlated color temprature (CCT) 3.000 K, Colour rendering index CRI > 80, Permissible ambient temperature (ta): -20 °C - +25 °C, Protection class (EN 61140): I, Degree of protection (DIN EN 60529): IP67, shock resistance according to IEC62262: IK08, incl. converter for connection to 230 V mains voltage, switchable, 1,000 mm connection cable with aquastop, 500 Kg, The recessed luminaire is not suitable for installation in traffic areas. For connection to a suitable driver, 230,00V AC on/off .

Article data	
Article no.	14054223
GTIN	4251433926214
Series name	BOLED
Short description	LED-floor recessed light, V4A, IP67
Material	Stainless steel V4A / Aluminium / Glass
Colour	Stainless steel
Shape	Round
Outer diameter	110 mm
Built-in diameter	102 mm
Installation depth	160 mm
Scope of delivery	incl. converter for connection to 230 V mains voltage, switchable, 1,000 mm connection cable with aquastop
Weight	1.507 kg

BOLED LED-floor recessed light, V4A, IP67
Article no. 14054223

Light.
For Generations.

Lighting technology	
Colour temperature	3000 K
Light colour	White
Luminous flux	1,320 lm
System efficiency	88 lm/W
Colour rendering	CRI > 80
Reflector	High-gloss
Beam angle	38°
Light sharing	Symmetric

Operating technology of the luminaire	
System output	15 W
Voltage type	AC
AC nominal voltage max	230 V
Frequenz max.	50 Hz
Lamp	LED
Protection class	I
Degree of protection	IP67
Control	on/off
Bulb change possible	Yes

Mounting technology	
Mounting method	Recessed mounting
Place of installation	Floor-mounted
Adjustability	Not adjustable
Max. load	500 kg
Over rollable	No
Impact resistance	IK08
Further references	V4A
Material cover	Glass transparent

Packing data	
Gross weight	1.585 kg
Length of packaging	120 mm
Packaging width	120 mm
Packaging height	200 mm
Disposal at end of life	This product must not be disposed of with household waste. You are obliged, to dispose of such electrical waste separately. By disposing of electrical waste and other old or defective electronics separately, you support recycling or other forms of re-use. In that way you help to take care and to avoid that harmful substances get into the environment.