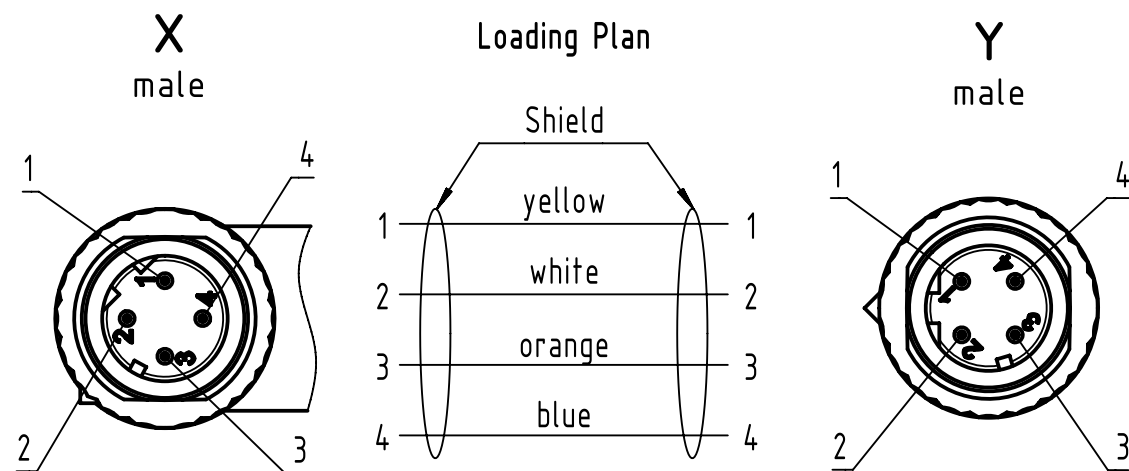
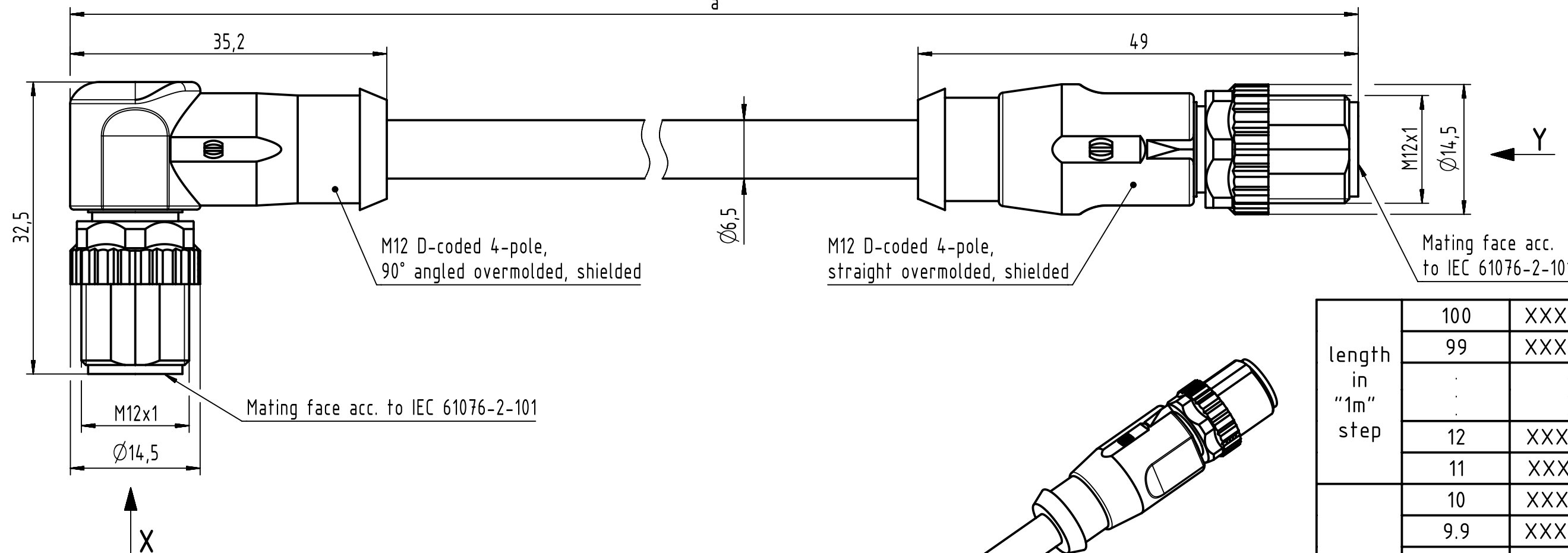


Connector Location A

Connector Location B



- Protection level: IP65/67  
 - Temperature range: -30°C ... +70°C

length in "1m" step	100	XXX=000
	99	XXX=990
	.	.
	12	XXX=120
length in "0.1m" step	11	XXX=110
	10	XXX=100
	9.9	XXX=099
	9.8	XXX=098
	.	.
	0.4	XXX=004
	0.3	XXX=003
	0.2	XXX=002
	0.1	XXX=001
Step	a [m]	XXX

4.0 to 100	±1%
0.1 to 3.9	+0.04
a [m]	Tolerance

Part no.	213494924XXXXX
Type of cable	XX
PVC, green, 4xAWG22/7	XX=05
PUR, green, 4xAWG22/7	XX=77

All rights reserved Department HCS - RO HARTING Customised Solutions D-32339 Espelkamp		Created by BANIUD Banciu	Inspected by COSTEA Costea	Standardisation MUNTEANV Muntean	Date 2019-03-01	State Final Release	Doc-Key / ECM-Nr. 100612499/UGD/000/E 50000014.8052
Title M12 Cable Assembly D-cod an/st m/m		Type TB		Number 213494924XXXXX		Rev. E	Page 1/1