

## Wall mounting socket outlet - housing dimensions 80x70



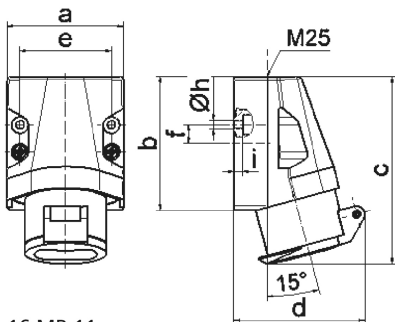
| Product description       |  |
|---------------------------|--|
| BALS-Prd.-Nr              | 416  |
| EAN                       | 4024941004169                                  |
| Product category          | Wall mounting socket outlet, extra-low voltage |
| Current                   | 16A  |
| Number of poles           | 3p   |
| Poles                     | 3P   |
| Position of earth contact | no minor keyway                                |
| Voltage                   | 20 up to 25v                                   |
| Frequency                 | 50 and 60Hz                                    |

| Product description    |   |
|------------------------|---|
| Protection degree      | IP44  |
| Colour code            | violet RAL 4005   |
| Colour of appliance    | Housing bottom grey RAL 7035, Housing top grey RAL 7035, Hinged lid violet RAL 4005, Collar grey RAL 7035 |
| Connection design      | with screw terminal   |
| Maximum conductor size | 10,0 qmm  |
| Cable entry            | top entry M25   |
| Height                 | 113mm   |
| Width                  | 70mm  |
| Depth                  | 79mm  |
| Dimension of enclosure | 80x70 mm (HxW)  |
| Material of enclosure  | Polyamide   |
| Contact                | The contact carrier is made of polyamide, the contacts are brass nickel plated                            |

| Additional technical properties |                                    |
|---------------------------------|------------------------------------|
|                                 | The cable entry is one at top open |

| Logistics data |                  |
|----------------|------------------|
| Weight/pcs     | 0.195 kg / Piece |
| Packaging      | Bag              |
| Content amount | 1 ST             |
| EAN            | 4024941004169    |

| Logistics data |               |
|----------------|---------------|
| Length         | 79 mm         |
| Width          | 70 mm         |
| Height         | 113 mm        |
| Weight         | 0.196 kg      |
| Volume         | 624.89 ccm    |
| Packaging      | Carton        |
| Content amount | 10 ST         |
| EAN            | 4024941967600 |
| Length         | 245 mm        |
| Width          | 177 mm        |
| Height         | 185 mm        |
| Weight         | 2.083 kg      |
| Volume         | 7,140 ccm     |



| Ampere                     | 16    | 16    | 32    | 32    |  |  |
|----------------------------|-------|-------|-------|-------|--|--|
| Polzahl                    | 2     | 3     | 2     | 3     |  |  |
| a                          | 70,0  | 70,0  | 70,0  | 70,0  |  |  |
| b                          | 80,0  | 80,0  | 80,0  | 80,0  |  |  |
| c                          | 113,0 | 113,0 | 113,0 | 113,0 |  |  |
| d                          | 80,0  | 80,0  | 80,0  | 80,0  |  |  |
| e                          | 55,0  | 55,0  | 55,0  | 55,0  |  |  |
| f                          | 11,0  | 11,0  | 11,0  | 11,0  |  |  |
| h ø                        | 5,2   | 5,2   | 5,2   | 5,2   |  |  |
| i                          | 5,0   | 5,0   | 5,0   | 5,0   |  |  |
| Leiter mm <sup>2</sup> min | 4     | 4     | 4     | 4     |  |  |
| Leiter mm <sup>2</sup> max | 10    | 10    | 10    | 10    |  |  |
|                            |       |       |       |       |  |  |
|                            |       |       |       |       |  |  |