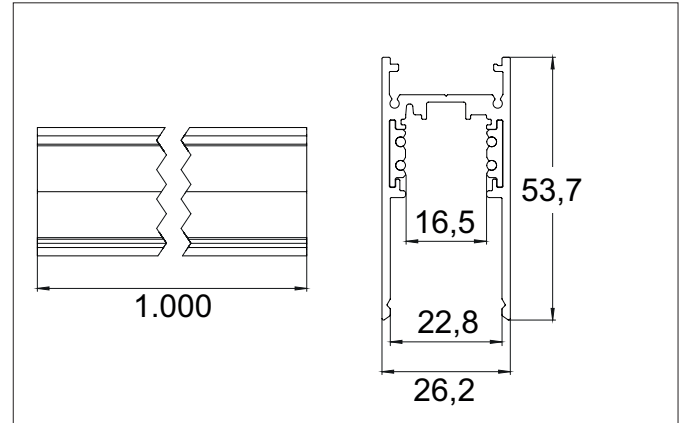


High 48 V track

Article no. 88488180


Tender

High 48 V track, black, Rectangular.Surface mounting, Ceiling-/Wall-mounted Mounting method: Surface mounting, Place of installation: Ceiling-/Wall-mounted, Material: Aluminium, Protection class: (EN 61140) II, Voltage: 48 V DC.

Article data	
Article no.	88488180
GTIN	4255752520245
Short description	High 48 V track
Material	Aluminium
Colour	Black
Type of surface	Structure
Shape	Rectangular
Length	1,000 mm
Width	26.2 mm
Hight	53 mm
Weight	1.025 kg
stamp	ENEC
Conformance	CE

High 48 V track
Article no. 88488180

Packing data	
Gross weight	1.035 kg
Length of packaging	1,002 mm
Packaging width	54 mm
Packaging height	27 mm
Disposal at end of life	<p>This product must not be disposed of with household waste. You are obliged, to dispose of such electrical waste separately.</p> <p>By disposing of electrical waste and other old or defective electronics separately, you support recycling or other forms of re-use. In that way you help to take care and to avoid that harmful substances get into the environment.</p>

High 48 V track

Article no. 88488180

Optional accessories
<p>Article no.: 88483080 End piece for 48 V track DALI / without cable hole</p> <p>Dimensions: 2 mm x 26.2 mm x 53.6 mm https://www.brumberg.com/fileadmin/products/Datenblatt_88483080_2021_DE.pdf</p>
<p>Article no.: 88483180 End piece for 48 V DALI track / with cable hole</p> <p>Dimensions: 2 mm x 26.2 mm x 53.6 mm https://www.brumberg.com/fileadmin/products/Datenblatt_88483180_2021_DE.pdf</p>
<p>Article no.: 88488600 Stabilizing plate only for high 48 V track</p> <p>Dimensions: 80 mm x 22.7 mm x 5.9 mm https://www.brumberg.com/fileadmin/products/Datenblatt_88488600_2021_DE.pdf</p>
<p>Article no.: 88488000 Ceiling mounting for 48 V track</p> <p>Dimensions: 57 mm x 28.8 mm x 5.5 mm https://www.brumberg.com/fileadmin/products/Datenblatt_88488000_2021_DE.pdf</p>
<p>Article no.: 88484080 L-connector 90° to 48 V track</p> <p>Dimensions: 105 mm x 105 mm x 18.7 mm https://www.brumberg.com/fileadmin/products/Datenblatt_88484080_2021_DE.pdf</p>
<p>Article no.: 88484180 Flexible connector for 48 V track</p> <p>Dimensions: 274 mm https://www.brumberg.com/fileadmin/products/Datenblatt_88484180_2021_DE.pdf</p>
<p>Article no.: 88484280 Final power supply to 48 V track</p> <p>Dimensions: 112 mm https://www.brumberg.com/fileadmin/products/Datenblatt_88484280_2021_DE.pdf</p>
<p>Article no.: 88484380 Electrical connector for 48 V track</p> <p>Dimensions: 105 mm https://www.brumberg.com/fileadmin/products/Datenblatt_88484380_2021_DE.pdf</p>
<p>Article no.: 88489180 Corner connector 90°</p> <p>Dimensions: 53 mm x 53.2 mm x 53.6 mm https://www.brumberg.com/fileadmin/products/Datenblatt_88489180_2021_DE.pdf</p>
<p>Article no.: 88498280 Plastic T-connector for 48 V track, 88488180, 88488280 and 88488380</p> <p>Dimensions: 78 mm x 53.2 mm x 53.6 mm https://www.brumberg.com/fileadmin/products/Datenblatt_88498280_2021_DE.pdf</p>

High 48 V track

Article no. 88488180

Optional accessories
Article no.: 88498380 Plastic X-connector for 48 V track, 88488180, 88488280 and 88488380 Dimensions: 78 mm x 78 mm x 53.6 mm https://www.brumberg.com/fileadmin/products/Datenblatt_88498380_2021_DE.pdf
Article no.: 88484480 Flexible T-connector for 48 V track Dimensions: 278 mm x 147 mm x 18.7 mm https://www.brumberg.com/fileadmin/products/Datenblatt_88484480_2021_DE.pdf
Article no.: 88484580 Flexible X-connector for 48 V track Dimensions: 278 mm x 278 mm x 18.7 mm https://www.brumberg.com/fileadmin/products/Datenblatt_88484580_2021_DE.pdf
Article no.: 17480100 LED converter for 48 V track system Leistung: 100 W Dimensions: 298 mm x 16 mm x 19 mm https://www.brumberg.com/fileadmin/products/Datenblatt_17480100_2021_DE.pdf
Article no.: 17480200 LED converter for 48 V track system Leistung: 250 W Dimensions: 268 mm x 22 mm x 43.5 mm https://www.brumberg.com/fileadmin/products/Datenblatt_17480200_2021_DE.pdf
Article no.: 81107000 Track pliers https://www.brumberg.com/fileadmin/products/Datenblatt_81107000_2021_DE.pdf
Article no.: 88487580 Blank cover suitable for 84488xxx Dimensions: 3,000 mm x 24.6 mm x 5 mm https://www.brumberg.com/fileadmin/products/Datenblatt_88487580_2021_DE.pdf