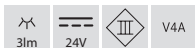
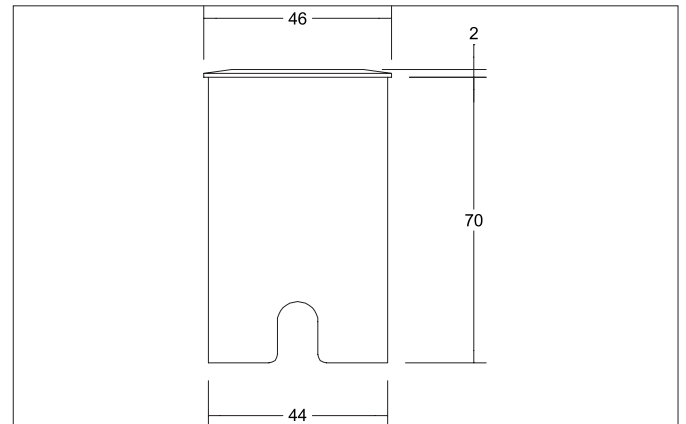


HYBRIDE MINI LED-floor recessed light, V4A, IP65
Article no. 14051223

Light.
For Generations.



Tender

Runde LED-Bodeneinbauleuchte, V4A, IP65, Installation opening \varnothing 44 mm, Installation depth 70 mm, Weight 0,438 Kg, mit rotations-symmetrisch tief-breit-strahlender Lichtstärkeverteilung. Optimale Lichtverteilung durch eine Glas opal Abdeckung. Bemessungslichtstrom 3 lm, Bemessungsleistung 1 x 1,4 W, Leuchten-Lichtausbeute 2 lm/W, Lichtfarbe warmweiß, ähnlichste Farbtemperatur (CCT) 3.000 K, allgemeiner Farbwiedergabeindex CRI > 80, Permissible ambient temperature (ta): -20 °C - +25 °C, Protection class (EN 61140): III, Degree of protection (DIN EN 60529): IP65, Incl. 3,000 mm connecting cable For connection to a suitable driver, 24,00V DC Dimming depending on driver .

Article data	
Article no.	14051223
GTIN	4251433925620
Series name	HYBRIDE MINI
Short description	LED-floor recessed light, V4A, IP65
Material	Stainless steel V4A / Aluminium / Glass
Colour	Stainless steel
Shape	Round
Outer diameter	46 mm
Built-in diameter	44 mm
Installation depth	70 mm
Scope of delivery	Incl. 3,000 mm connecting cable
Weight	0.438 kg

HYBRIDE MINI LED-floor recessed light, V4A, IP65
Article no. 14051223




Light.
For Generations.

Lighting technology	
Colour temperature	3000 K
Light colour	White
Luminous flux	3 lm
Colour rendering	CRI > 80
Reflector	Without
Beam angle	100°
Light sharing	Symmetric

Operating technology of the luminaire	
System output	1.4 W
Voltage type	DC
DC nominal voltage max	24 V
Lamp	LED
Protection class	III
Degree of protection	IP65
Control	Dimming depending on driver
Bulb change possible	Yes

Mounting technology	
Mounting method	Recessed mounting
Place of installation	Floor-mounted
Adjustability	Not adjustable
Over rollable	No
Further references	V4A
Material cover	Glass opal
Suitable for through-wiring	Yes

Packing data	
Gross weight	0.491 kg
Length of packaging	128 mm
Packaging width	95 mm
Packaging height	70 mm
Disposal at end of life	This product must not be disposed of with household waste. You are obliged, to dispose of such electrical waste separately. By disposing of electrical waste and other old or defective electronics separately, you support recycling or other forms of re-use. In that way you help to take care and to avoid that harmful substances get into the environment.

Accessories	
	Article no.: 17214000 LED power supply 24 V DC, on/off switchable Power: 1 - 7,2 W Dimensions: 68 mm x 35 mm x 21 mm
	Article no.: 17206000 LED power supply 24 V DC, 1-10 V dimmable (analog) Power: 1 - 20 W Dimensions: 145 mm x 55 mm x 19 mm
	Article no.: 17207000 LED power supply 24 V DC, on/off switchable Power: 1 - 30 W Dimensions: 160 mm x 50 mm x 22 mm