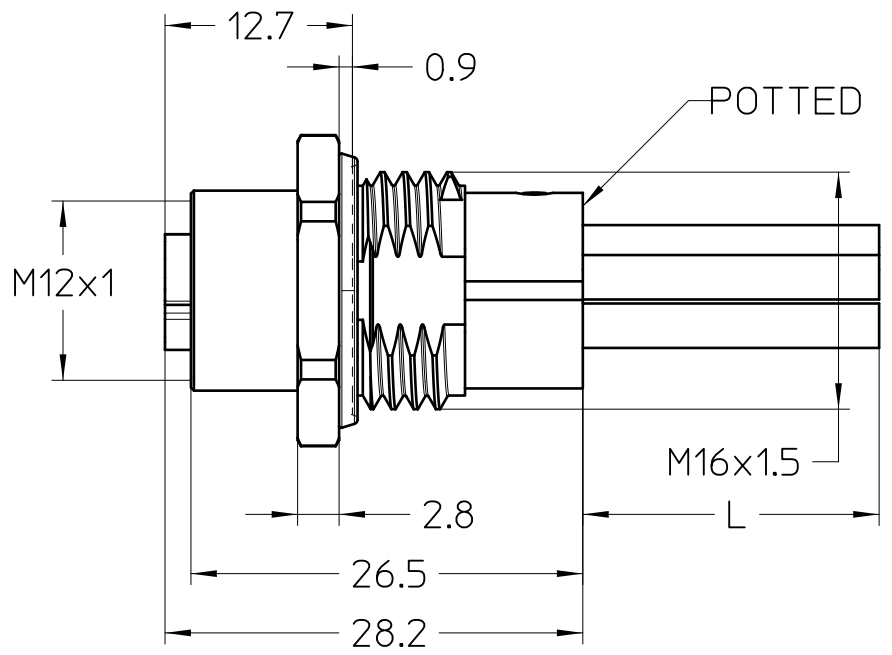
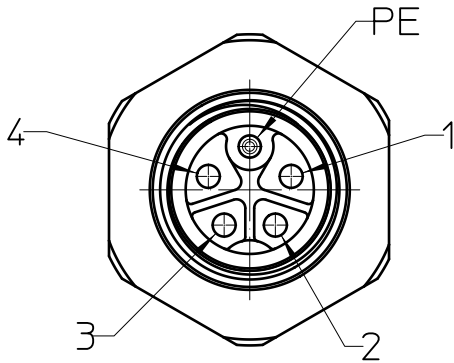
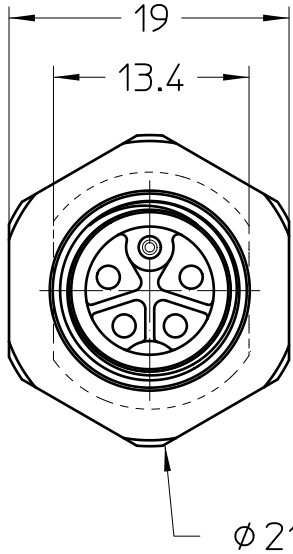


RI	date		revision	name	check.on
					name



4	BLUE
3	RED
2	WHITE
1	BLACK
PE	GREEN/YELLOW
POSITION	COLOR

CONDUCTOR COLOR CHART

1329944	2.0 M
1329942	1.0 M
1329939	0.5 M
PART NUMBER	LENGTH

LENGTH "L"

THIS DRAWING IS THE PROPERTY OF PHOENIX CONTACT AND IS PROTECTED BY COPYRIGHT AND MAY NOT BE USED OR REPRODUCED WITHOUT AUTHORIZATION OF PHOENIX CONTACT

UNLESS OTHERWISE SPECIFIED DIMENSIONS ARE IN MILLIMETERS	00	date	name	ident.-No.	RI	material	scale	dim.var.	
	creat.	04.10.22	uspn01	1329944	05	-	2:1		
PROJECTION TOLERANCES ANGLES .x = ±.x .xx = ±.xx ±0.5°	check.	04.10.22	usrd03	SAP Change-No.	part-rev. Relocation of assembly change				
	HARRISBURG, PA USA				document-type	document-No.	RI	surface in µm	
SIZE	THIS DRAWING IS PREPARED IN ACCORDANCE WITH ASME Y14.5M-1994			description		01488286	00		
A	page 1	of 1		SACC-E-M12FSK-4PE-M16XL/2,0-US					