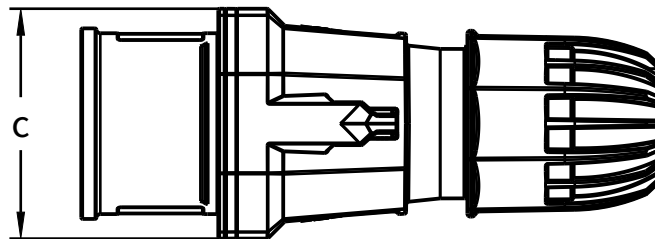
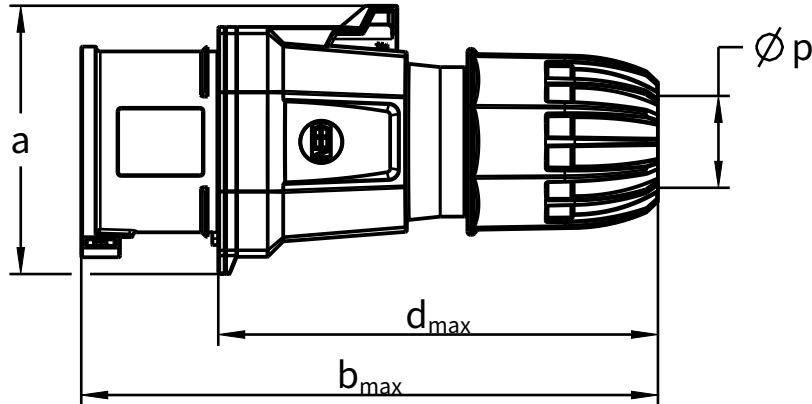


MAßZEICHNUNG

Dimensional drawing



Amp.	16A			32A		
Pole	3	4	5	3	4	5
a	60	71	75	84	84	89
b	137	160	160	191	191	191
c	53	65	65	76	76	76
d	100	124	124	146	146	146
$\varnothing p$	6,5-14	7,1-15,5	8-17	9,6-18	10,7-20	11,9-22,2

SK Schraubklemme/ *screw terminal*
 SN Schraubklemme vernickelt/ *screw terminal nickel plated*
 CC Cage clamp/ *cage clamp*
 CN Cage clamp vernickelt/ *cage clamp nickel plated*
 PH Phasenwender/ *phase inverter*
 PN Phasenwender vernickelt/ *phase inverter nickel plated*