

Plug-in Type 1-10V Control Module for Tunable White

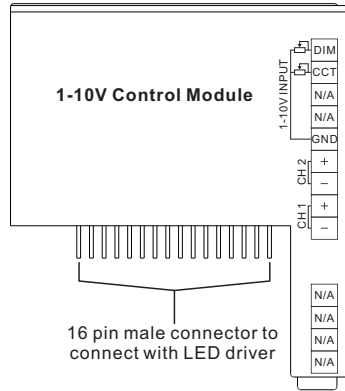
09.092007V.04735



Important: Read All Instructions Prior to Installation

Function introduction

1-10V Control Module for Tunable White



Features

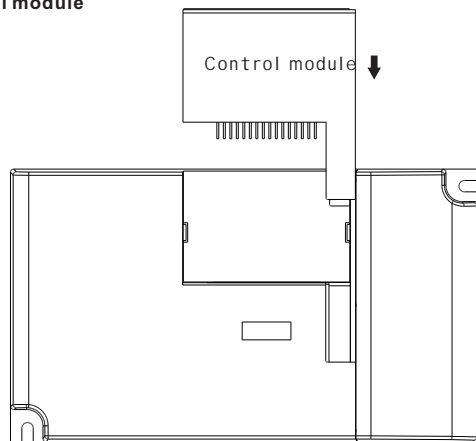
- Works with plug-in control module intelligent LED driver
- Built-in 1-10V dimming interface
- Receives 1-10V signal
- With 2 channels 1-10V signal input, 1 for switch and dimming, 1 for CCT control
- Compatible with universal 1-10v signal
- 0-10V version available for option

Safety & Warnings

- DO NOT assembly the control module with power applied to the LED driver.
- DO NOT expose the module to moisture.
- DO NOT change the control module within 1 minute after powering off the driver to avoid burning-out.

Operation

1.Assemble the control module

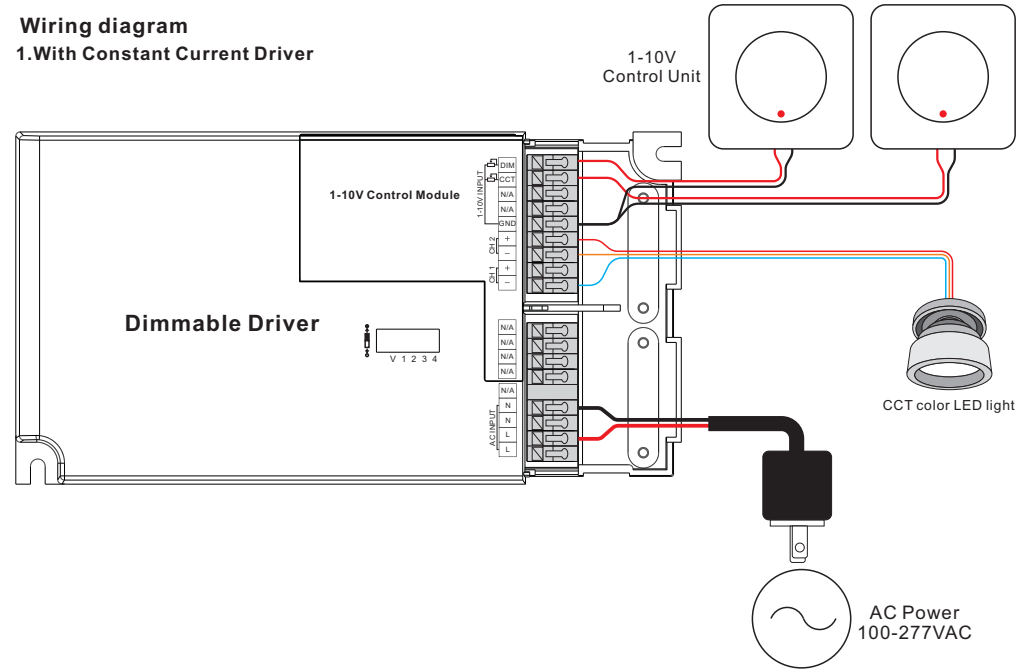


2.LED Driver Wiring:

Once the control module is assembled to the LED driver, do wiring of LED driver according to the wiring diagram.

Wiring diagram

1.With Constant Current Driver



2.With Constant Voltage Driver

