

## Panel mounting appliance inlet - with hinged cover



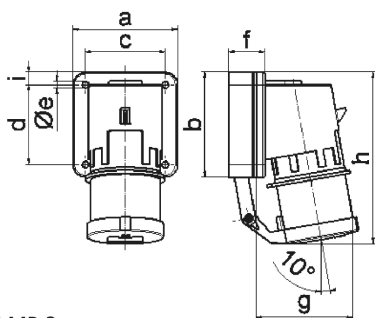
Product description	
BALS-Prd.-Nr	2630
EAN	4024941026307
Product category	GT surface mounting appliance inlet
Current	16A
Number of poles	4p
Poles	3P+PE
Position of earth contact	6 h
Voltage	380 up to 415V
Frequency	50 and 60Hz

Product description	
Protection degree	IP44
Colour code	red RAL 3000
Colour of appliance	Hinged lid grey RAL 7035, Collar red RAL 3000, Enclosure grey RAL 7035
Connection design	with screw terminal
Maximum conductor size	2,5 qmm
Cable entry	other
Height	150mm
Width	75mm
Depth	87mm
Flange size vertical	100mm
Flange size horizontal	75mm
Drill hole distance vertical	74mm
Drill hole distance horizontal	62mm
Material of enclosure	Polyamide
Contact	The contact carrier is made of polyamide, The contacts are brass

Additional technical properties	
	With hinged lid

Logistics data	
Weight/pcs	0.185 kg / Piece

Logistics data	
Packaging	Bag
Content amount	1 ST
EAN	4024941026307
Length	87 mm
Width	75 mm
Height	150 mm
Weight	0.186 kg
Volume	978.75 ccm
Packaging	Carton
Content amount	10 ST
EAN	4024941833295
Length	295 mm
Width	185 mm
Height	215 mm
Weight	2.014 kg
Volume	9,975 ccm



5 MB 2

Ampere Polzahl	16 3	16 4	16 5	32 3	32 4	32 5
a	74,0	75,0	84,0	90,0	90,0	90,0
b	84,0	100,0	84,0	75,0	75,0	75,0
c	58,0	62,0	64,0	78,0	78,0	78,0
d	64,0	74,0	64,0	45,0	45,0	45,0
e ø	5,5	4,3	5,5	5,5	5,5	5,5
f	12,0	12,0	29,0	29,0	29,0	29,0
g	78,0	88,0	105,0	114,0	114,0	115,0
h	134,0	151,0	138,0	149,0	149,0	150,0
i	-	-	-	13,0	13,0	13,0
Leiter mm <sup>2</sup> min	1	1	1	2,5	2,5	2,5
Leiter mm <sup>2</sup> max	2,5	2,5	2,5	6	6	6