

## Panel mounting socket outlet, straight - flange 72x65, fixing centers 52x52

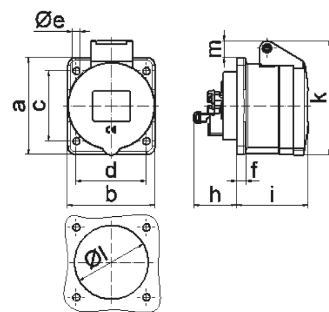


Product description	
BALS-Prd.-Nr	13684
EAN	4024941136846
Product category	Panel mounting socket outlet Quick-Connect, straight
Current	16A
Number of poles	5p
Poles	3p+N+PE
Position of earth contact	2 h
Voltage	> 50V

Product description	
Frequency	over 300 up to 500Hz
Protection degree	IP44
Colour code	green RAL 6002
Colour of appliance	Hinged lid green RAL 6002, Enclosure grey RAL 7035
Connection design	screwless spring terminals as cage clamp with Kontex-contact
Maximum conductor size	4,0 qmm
Cable entry	other
Height	85mm
Width	65mm
Depth	90mm
Flange size vertical	72mm
Flange size horizontal	65mm
Drill hole distance vertical	52mm
Drill hole distance horizontal	52mm
Material of enclosure	Polyamide
Contact	The contact carrier is made of polyamide, The contacts are brass

Logistics data	
Weight/pcs	0.13 kg / Piece
Packaging	Bag

Logistics data	
Content amount	1 ST
EAN	4024941136846
Length	90 mm
Width	65 mm
Height	85 mm
Weight	0.131 kg
Volume	4,735.104 ccm
Packaging	Carton
Content amount	10 ST
EAN	4024941829083
Length	275 mm
Width	175 mm
Height	137 mm
Weight	1.425 kg
Volume	5,737.5 ccm



4 MB 100

Ampere Polzahl	16 3	16 4	16 5				
a	62,0	72,0	72,0				
b	62,0	65,0	65,0				
c	47,0	52,0	52,0				
d	47,0	52,0	52,0				
e ø	5,5	5,5	5,5				
f	7,0	7,0	7,0				
h	35,5	35,5	35,5				
i	51,0	53,0	53,0				
k	70,0	80,0	85,0				
ø	45,0	45,0	55,0				
m	10,0	9,0	13,0				
Leiter mm <sup>2</sup> min	1,5	1,5	1,5				
Leiter mm <sup>2</sup> max	4	4	4				