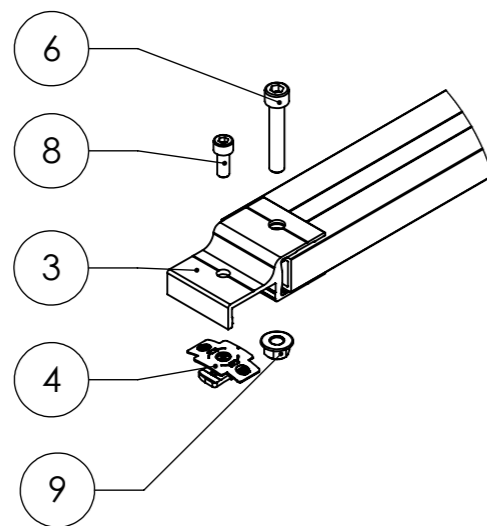
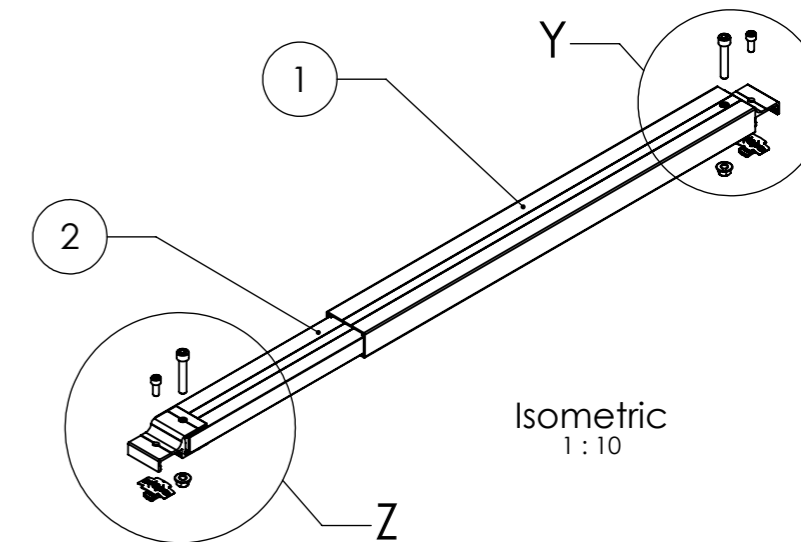
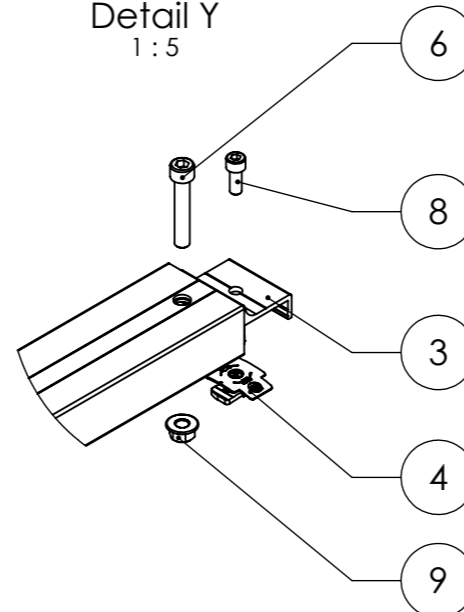


Detail Z  
1:5



Detail Y  
1:5



Pos.No.	Designation	Material	Quantity
1	Outer profile fixed connection S 730 mm	EN AW 6063 T66	1
2	Inner profile fixed connection S725mm	EN AW 6063 T66	1
3	T-Joint fixed connection	EN AW 6063 T66	2
4	MK2 for Sets	stainless steel (1.4301)/TPC	2
5	Socket head bolt, serrated - similar DIN 4762 - M8x20	A2-70	2
6	Socket head bolt DIN 4762 - M10x55	A2-70	2
7	Hexagon flange nut, serrated - similar DIN 6923 - M10	A2-70	2



K2 Systems GmbH  
Industriestr. 18  
71272 Renningen  
Germany  
+49 7159 42059-0

Designation:		<b>Data sheet Dome FixPro S</b>	
Item no.:	<b>2003384</b>	A3	
Drawing no.:	07-017-01	All dimensions in mm	
Scale: 1:2		Sheet 1 of 1	

This drawing is the sole property of K2 Systems GmbH. It is protected by copyright and may only be copied, reproduced or distributed to a third party with explicit permission!