

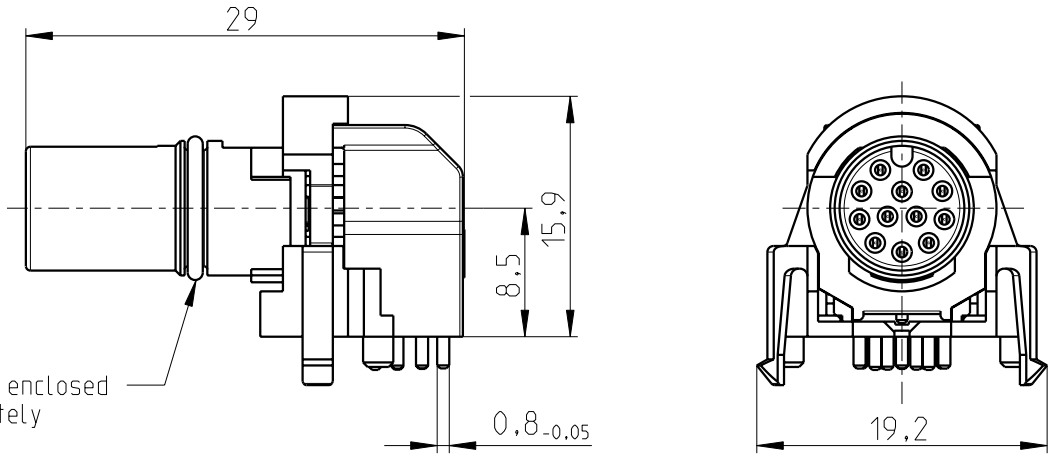
The copying, distribution and utilization of this document as well as the communication of the contents to others without expressed authorization is prohibited according to §18 UWG German Law. Offenders will be held liable for the payment of damages according to §19 UWG German Law. All rights reserved, in particular the right to carry out patent, utility model or ornamental design registrations.

Weitergabe sowie Vervielfältigung dieses Dokuments, Verwertung und Mitteilung seines Inhalts gem §18 UWG verboten, soweit nicht ausdrücklich gestattet. Zuwiderhandlungen verpflichten zu Schadensersatz (§19 UWG). Alle Rechte vorbehalten, insbesondere das Recht, Patent-, Gebrauchsmuster- oder Geschmacksmusteranmeldungen durchzuführen. CONIVERS GmbH Heisenbergstrasse 1 D-71083 Herrenberg

Mechanical data (according to IEC 61076-2-101)		Material	
no. of poles / coding	12 / A	contacts / surface	CuZn with gold layer
contact termination	dip solder / socket	contact carrier colour	PA6T / 66 black
contact-Ø	12xØ0.6mm	sealing gasket	FKM
temperature range	-40 °C to +105 °C		
protection class	IP67		
mating cycles	>100		

further information:
- see technical data M12-3

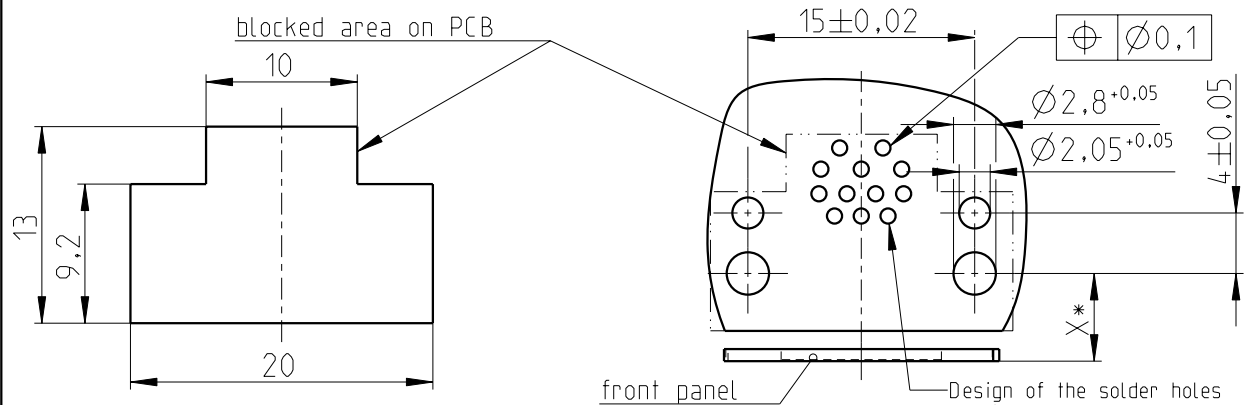
While mounting the insulating body with o-ring into the housing, the axial mounting force on each connector shouldn't be higher than 80N. Avoid radial forces!



All specified data refers to the mounted M12 installation plugs ≥ IP54 and requires that the connector pair be correctly plugged and locked. Influences from wires, cables or PCB mounting are also to be taken into consideration.

drilling plan component side (front view PC-Board)

* measure X depends on the installed housing, see installation recommendation of the housing series M12 DSIV



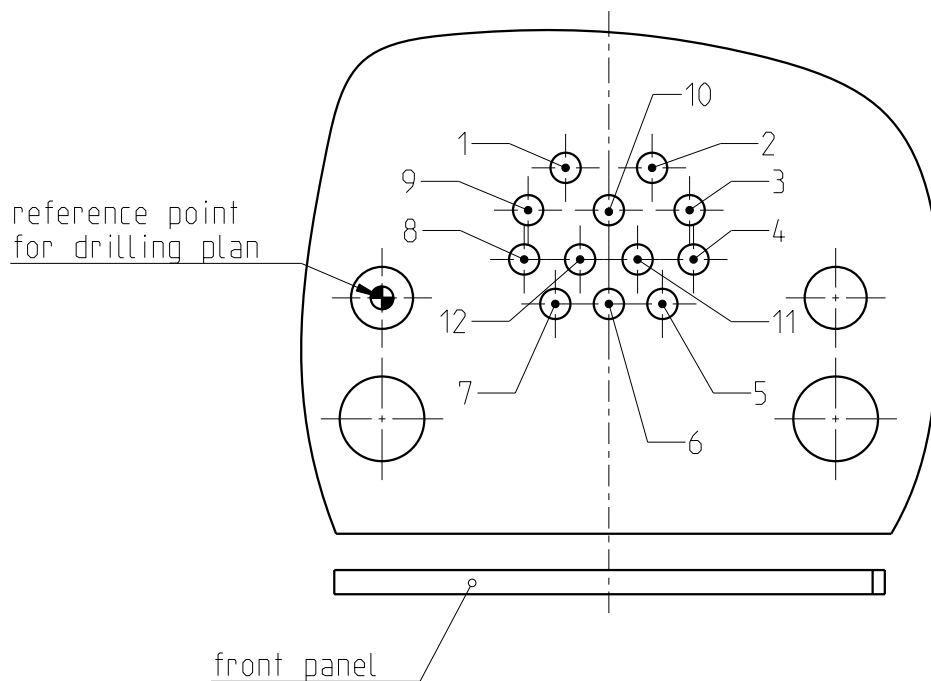
Design of the solder holes provided by the customer, according to solder - process (THR, wave)

further dimensioning see page 2

general tolerance acc. to DIN ISO 2768-c		technical changes reserved		Index 3 / 2012-07-18		scale: 2:1	
design	2012-03-29	Scheerer		Series DSIV M12-socket-contact carrier 12-pole socket/A-coding/angled			
chk.							
		drawing-no.:	BS-12S2ND20000		doc.-no.:	97013257	
		order-no.:	1239452		page: 1 of: 2		
		article designation:	SACC-CI-M12FS-12CON-L90X				

drilling plan

component side (front view PC-Board)



dimensioning in relation to reference point

bore	X	Y
1	6,07	4,3
2	8,93	4,3
3	10,17	2,9
4	10,3	1,27
5	9,27	-0,2
6	7,5	-0,2
7	5,73	-0,2
8	4,7	1,27
9	4,83	2,9
10	7,5	2,9
11	8,45	1,27
12	6,55	1,27

general tolerance acc. to DIN ISO 2768-c		technical changes reserved		Index 3 / 2012-07-18		scale: 4:1	
design	date	Series DSIV					
chk.	name	M12-socket-contact carrier					
		12-pole socket/A-coding/angled					
		drawing-no.:	BS-12S2ND20000		doc.-no.:	97013257	
		order-no.:	1239452				
		article designation:	SACC-CI-M12FS-12CON-L90X				

The copying, distribution and utilization of this document as well as the communication of the contents to others without expressed authorization is prohibited according to §18 UWG German Law. Offenders will be held liable for the payment of damages according to §19 UWG German Law. All rights reserved, in particular the right to carry out patent, utility model or ornamental design registrations.

Weitergabe sowie Vervielfältigung dieses Dokuments, Verwertung und Mitteilung seines Inhalts gem §18 UWG verboten, soweit nicht ausdrücklich gestattet. Zuwiderhandlungen verpflichten zu Schadensersatz (§19 UWG). Alle Rechte vorbehalten, insbesondere das Recht, Patent-, Gebrauchsmuster- oder Geschmacksmusteranmeldungen durchzuführen. CONIVERS GmbH Heisenbergstrasse 1 D-71083 Herrenberg