

Wall mounting appliance inlet - without closure cap



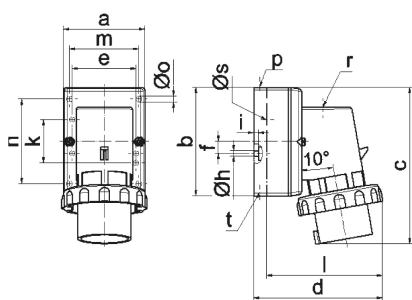
| Product description | |
|---------------------------|-------------------------------|
| BALS-Prd.-Nr | 2473 |
| EAN | 4024941024730 |
| Product category | Wall mounting appliance inlet |
| Current | 16A |
| Number of poles | 3p |
| Poles | 2P+PE |
| Position of earth contact | 6 h |
| Voltage | 200 up to 250V |
| Frequency | 50 and 60Hz |

| Product description | |
|------------------------|---|
| Protection degree | IP67 |
| Colour code | blue RAL 5015 |
| Colour of appliance | Collar blue RAL 5015, Bayonet ring grey RAL 7035, Housing bottom grey RAL 7035, Housing top grey RAL 7035 |
| Connection design | with screw terminal |
| Maximum conductor size | 2,5 qmm |
| Cable entry | top entry M20 |
| Height | 128mm |
| Width | 70mm |
| Depth | 111mm |
| Dimension of enclosure | 87x64 mm (HxW) |
| Material of enclosure | Polyamide |
| Contact | The contact carrier is made of polyamide, the contacts are brass nickel plated |

| Additional technical properties | |
|---------------------------------|---|
| | The cable entry is one at top open and one at bottom and one rear side closed |

| Logistics data | |
|----------------|------------------|
| Weight/pcs | 0.203 kg / Piece |
| Packaging | Bag |
| Content amount | 1 ST |

| Logistics data | |
|----------------|---------------|
| EAN | 4024941024730 |
| Length | 111 mm |
| Width | 70 mm |
| Height | 128 mm |
| Weight | 0.204 kg |
| Volume | 994.56 ccm |
| Packaging | Carton |
| Content amount | 10 ST |
| EAN | 4024941968089 |
| Length | 258 mm |
| Width | 183 mm |
| Height | 212 mm |
| Weight | 2.182 kg |
| Volume | 8,750 ccm |



5 MB 128

| Ampere Polzahl | 16 3 | 16 4 | 16 5 | 32 3 | 32 4 | 32 5 |
|----------------|---------|---------|---------|---------|---------|---------|
| a | 64,0 | 75,0 | 84,0 | 90,0 | 90,0 | 90,0 |
| b | 87,0 | 100,0 | 84,0 | 75,0 | 75,0 | 75,0 |
| c | 137,0 | 151,0 | 136,0 | 138,0 | 138,0 | 139,0 |
| d | 112,0 | 119,0 | - | 122,0 | 122,0 | 123,0 |
| e | 51,0 | 59,0 | - | - | - | - |
| f | - | 11,0 | - | - | - | - |
| h ø | 4,1 | 5,1 | - | - | - | - |
| i | 4,5 | 4,5 | - | - | - | - |
| k | 40,0 | - | - | - | - | - |
| l | - | - | 111,0 | - | - | - |
| m | - | - | 64,0 | 78,0 | 78,0 | 78,0 |
| n | - | - | 64,0 | 45,0 | 45,0 | 45,0 |
| o ø | - | - | 5,5 | 5,5 | 5,5 | 5,5 |
| p | M20 | M20 | - | - | - | - |
| r | - | - | M20 | M25 | M25 | M25 |
| s ø | - | - | 23,0 | 29,0 | 29,0 | 29,0 |
| t | für M20 | für M20 | - | - | - | - |