

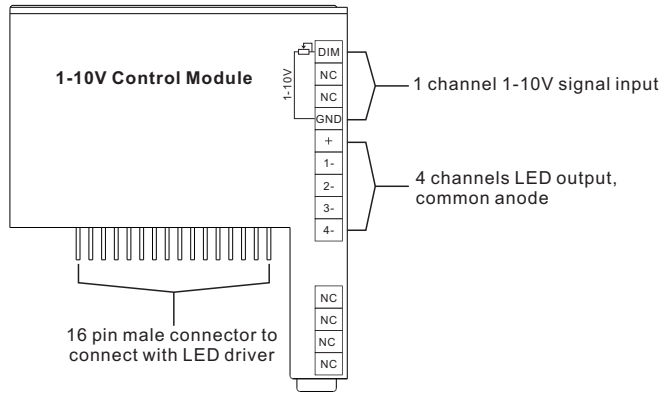
Plug-in Type 1-10V Control Module for 4 Channels Output LED Drivers

09.0920074CH.04735



Important: Read All Instructions Prior to Installation

Function introduction



Features

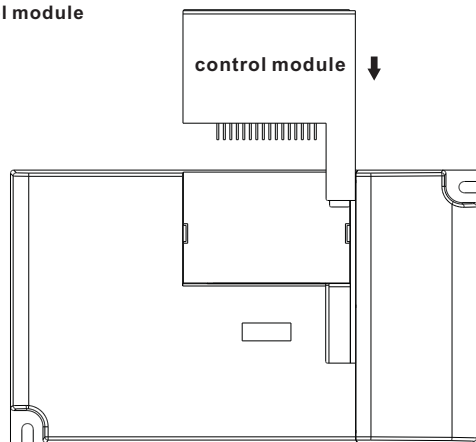
- Works with plug-in control module 4 channels output LED drivers
- Built-in 1-10V dimming interface
- Receives 1-10V signal
- 1 channel 1-10V signal input for switch and dimming control
- 4 channels LED output controlled synchronously
- Compatible with universal 1-10v signal
- 0-10V version available for option

Safety & Warnings

- DO NOT assembly the control module with power applied to the LED driver.
- DO NOT expose the module to moisture.
- DO NOT change the control module within 1 minute after powering off the driver to avoid burning-out.

Operation

1.Assemble the control module



2.LED Driver Wiring:

Once the control module is assembled to the LED driver, do wiring of LED driver according to the wiring diagram.

Wiring diagram

1.With Constant Current Driver

