

## Combination wall mounting socket outlet



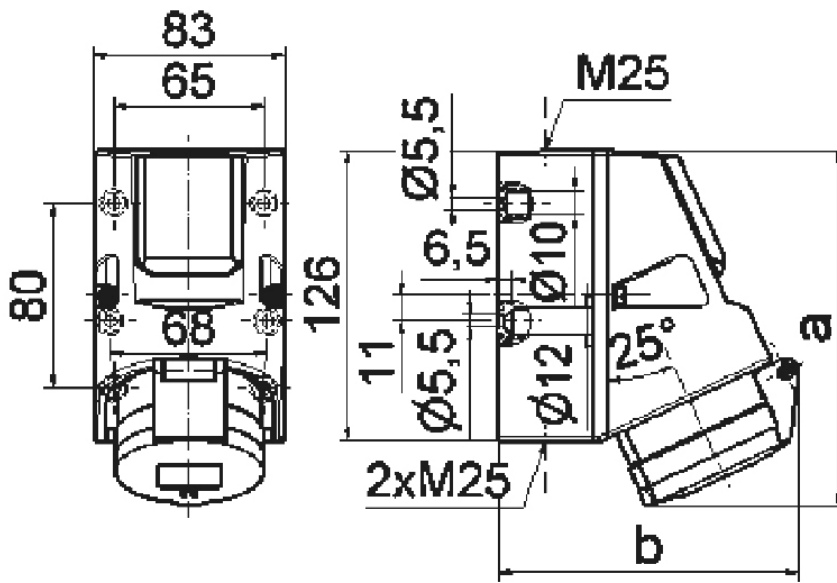
Product description	
BALS-Prd.-Nr	100022
EAN	4024941192088
Product category	Combined wall mounting socket outlet Quick-Connect twin terminals
Current	16A
Number of poles	5p
Poles	3p+N+PE
Position of earth contact	6 h
Voltage	200/346 up to 240/415V
Frequency	50 and 60Hz

Product description	
Protection degree	IP44
Colour code	red RAL 3000
Colour of appliance	Hinged lid red RAL 3000, Housing bottom grey RAL 7035, Housing top grey RAL 7035, Collar grey RAL 7035
Connection design	with screwless twin terminal
Maximum conductor size	4,0 qmm
Cable entry	1xM25 top, 2xM25 bottom
Height	154mm
Width	83mm
Depth	130mm
Dimension of enclosure	126x83 mm (HxW)
Material of enclosure	Polyamide
Contact	The contact carrier is made of polyamide, The contacts are brass

Additional technical properties	
	The cable entry is one at top open and two at bottom closed
	4 cut out fixing holes in the lower part of housing

Logistics data	
Weight/pcs	0.374 kg / Piece
Packaging	Bag

Logistics data	
Content amount	1 ST
EAN	4024941192088
Length	130 mm
Width	83 mm
Height	154 mm
Weight	0.375 kg
Volume	1,661.66 ccm
Packaging	Carton
Content amount	10 ST
EAN	4024941967921
Length	330 mm
Width	216 mm
Height	260 mm
Weight	3.966 kg
Volume	17,062.5 ccm



	16A		32A	
	4p	5p	4p	5p
a	154	155	156	157
b	127	130	130	136

# 1 MB 17