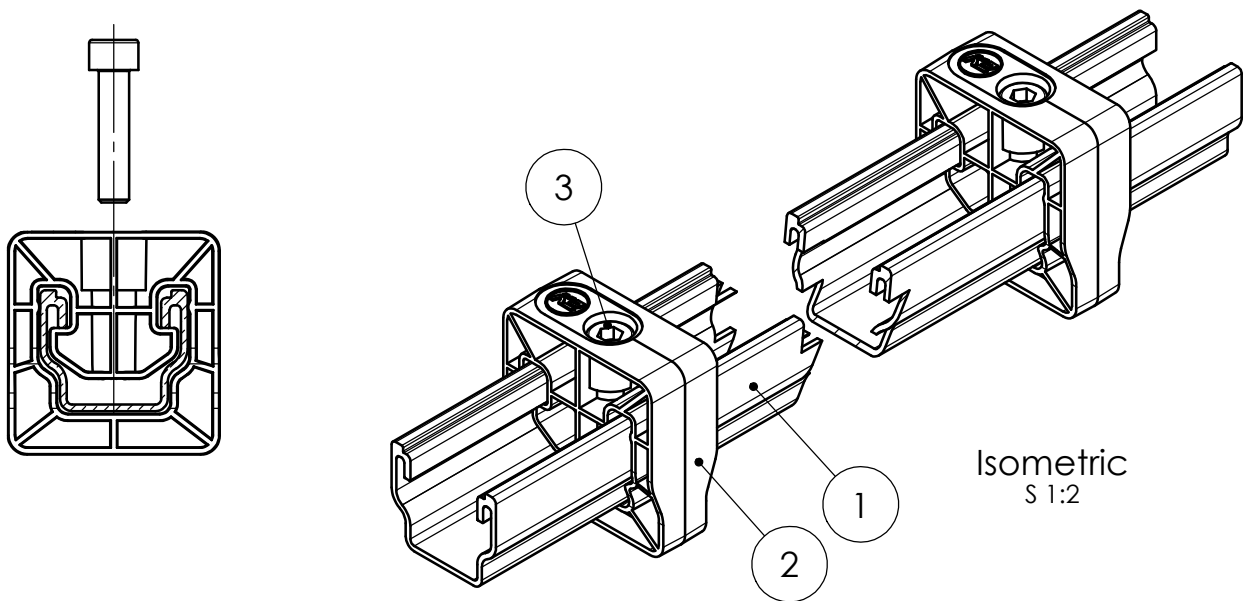


Section A-A



The components are not pre-assembled

Pos.No.	Designation	Material	Quantity
1	MultiRail 2,50 m; red	EN AW 6063 T66	1
2	Dome Spacer Clip	AKROMID A3 1 S3 black (1139)	2
3	Socket head bolt serrated EN ISO 4762 - M8x35	A2-70	2

 K2 Systems GmbH
Industriestr. 18
71272 Renningen
Germany
+49 7159 42059-0

Designation:

Data sheet
Dome Speed Spacer Large

Name	Date	Material:	Item no.:	2004129	A4	
Designed	S. Frey	06.04.2021	see table			
Approved	M. Liffek	06.04.2021	Surface: -	Drawing no.:	30-101-00	All dimensions in mm
Last change			Weight: ca. 1516.8 g/pc	Scale: 1:2		Sheet 1 of 1

This drawing is the sole property of K2 Systems GmbH. It is protected by copyright and may only be copied, reproduced or distributed to a third party with explicit permission!