

## Phase inverter - with TE screw terminals, for harsh applications



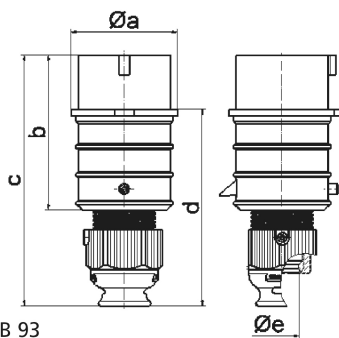
Product description	
BALS-Prd.-Nr	2271
EAN	4024941022712
Product category	TE phase inverter
Current	16A
Number of poles	5p
Poles	3p+N+PE
Position of earth contact	6 h
Voltage	200/346 up to 240/415V

Product description	
Frequency	50 and 60Hz
Protection degree	IP44
Colour code	red RAL 3000
Colour of appliance	Housing cover red RAL 3000, Collar red RAL 3000, Cable gland grey RAL 7035
Connection design	with screw terminal
Maximum conductor size	2,5 qmm
Cable entry	Cable gland
Height	154mm
Width	65mm
Depth	74mm
Material of enclosure	Polyamide
Contact	The contact carrier is made of high temperature resistant material, the contacts are brass nickel plated

Additional technical properties	
	For cable diameter from 10 up to max. 21 mm, Multi-Grip cable gland with gasket, integrated cable clamp and additional water evacuation openings

Logistics data	
Weight/pcs	0.194 kg / Piece
Packaging	Bag
Content amount	1 ST

Logistics data	
EAN	4024941022712
Length	74 mm
Width	65 mm
Height	154 mm
Weight	0.195 kg
Volume	740.74 ccm
Packaging	Carton
Content amount	10 ST
EAN	4024941968966
Length	245 mm
Width	177 mm
Height	185 mm
Weight	2.073 kg
Volume	7,140 ccm



2 MB 93

Ampere	16	16	16	32	32	32
Polzahl	3	4	5	3	4	5
a ø	51,0	57,5	65,0	66,0	66,0	72,0
b	95,0	95,0	97,0	118,0	118,0	117,0
c	145,0	145,0	152,0	178,0	178,0	181,0
d	109,0	109,0	116,0	133,0	133,0	135,5
e ø	18,0	18,0	21,0	23,0	23,0	27,0
Leiter mm² min	1	1	1	2,5	2,5	2,5
Leiter mm² max	2,5	2,5	2,5	6	6	6