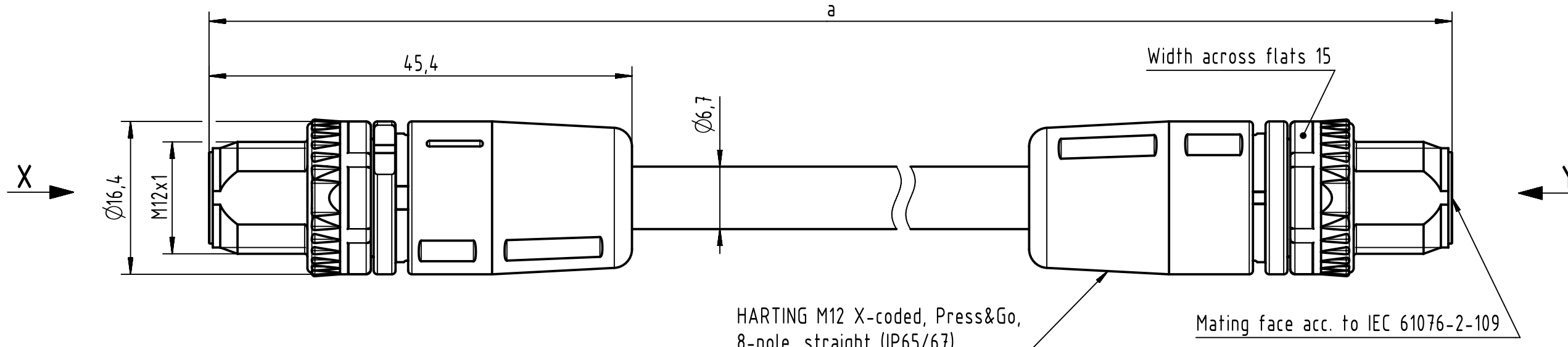


Connector Location A

Connector Location B



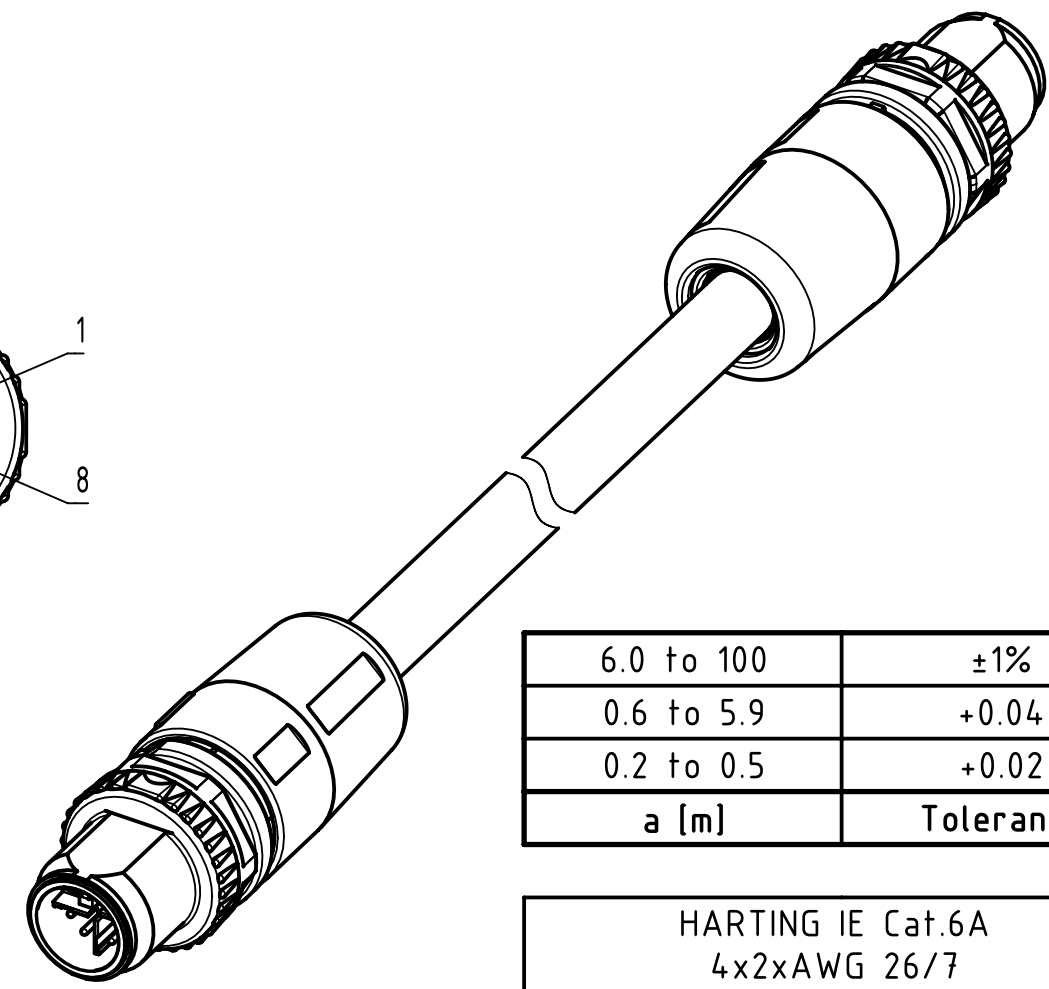
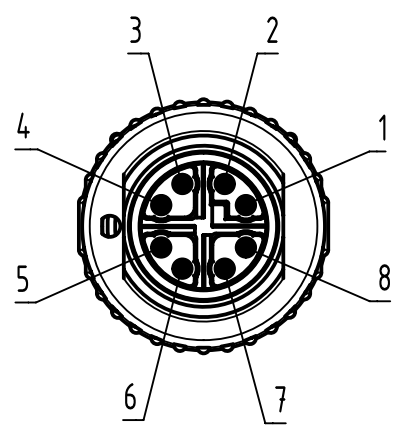
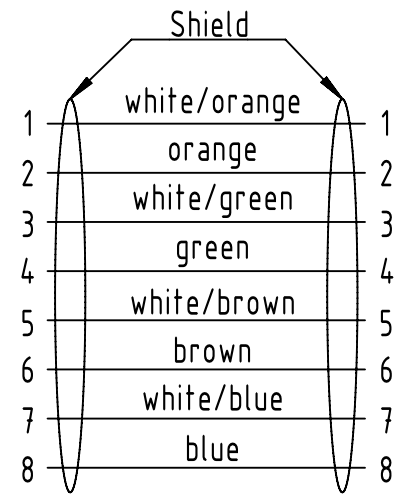
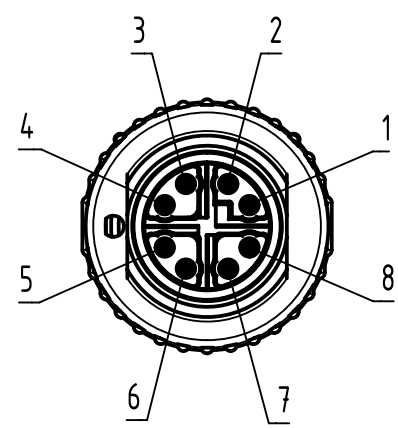
HARTING M12 X-coded, Press&Go, 8-pole, straight (IP65/67)

Mating face acc. to IEC 61076-2-109

X male

Loading Plan acc. to TIA/EIA 568B

Y male



6.0 to 100	±1%
0.6 to 5.9	+0.04
0.2 to 0.5	+0.02
<b>a [m]</b>	<b>Tolerance</b>

length in "1m" step	100	XXX=000
	99	XXX=990
	12	XXX=120
	11	XXX=110
length in "0.1m" step	10	XXX=100
	9.9	XXX=099
	9.8	XXX=098
	0.5	XXX=005
	0.4	XXX=004
	0.3	XXX=003
	0.2	XXX=002
<b>Step</b>	<b>a [m]</b>	<b>XXX</b>

HARTING IE Cat.6A  
4x2xAWG 26/7  
PUR yellow

21330505810XXX

NOTE:  
\* Cat.6A 10 Gbit/s Ethernet transmission possible for lengths up to 45m  
- Temperature range: -40°C ... +80°C

All Dimensions in mm		Tech. Character.		Free size tol.		According to production drawing	
All rights reserved Department HCS - RO HARTING Customised Solutions D-32339 Espelkamp	Created by 402676 Gross	Inspected by COSTEA Costea	Standardisation MUNTEANV Muntean	Date 2023-02-13	State Final Release		Doc-Key / ECM-Nr. 100855486/UGD/004/C 500000237305
	Title M12 X-coded Cable Assembly		Type TB	Number 21330505810XXX		Rev. C	Page 1/1