

ZOE VARIO LED IP44



EN Installation Instructions
DE Montageanleitung
CZ Montážní návod
DK Monteringsvejledning
EE Paigaldusjuhend
FI Asennusohje
FR Notice de montage
HU Szerelési útmutató
HR Uputstvo za montažu
NL Montagehandleiding
RO Instructiuni de montaj

IT Istruzioni di montaggio
LT Montavimo Instrukcijos
LV Instalācijas instrukcija
NO Monteringsanvisning
PL Instrukcja montażu
SE Installationsanvisning
RU Инструкция по монтажу
SRB Instrukcija za instalaciju
SK Montážny návod
SLO Navodilo za montažo
CN 安装说明书



1. Installation and commissioning may only be carried out by authorized specialists and wired in accordance with the latest IEE electrical regulations or the national standards.

2. Mains power must be switched off before carrying out installation.

3. The manufacturer, shall not be liable for any damage resulting from inappropriate modifications to the luminaire or faulty installation.

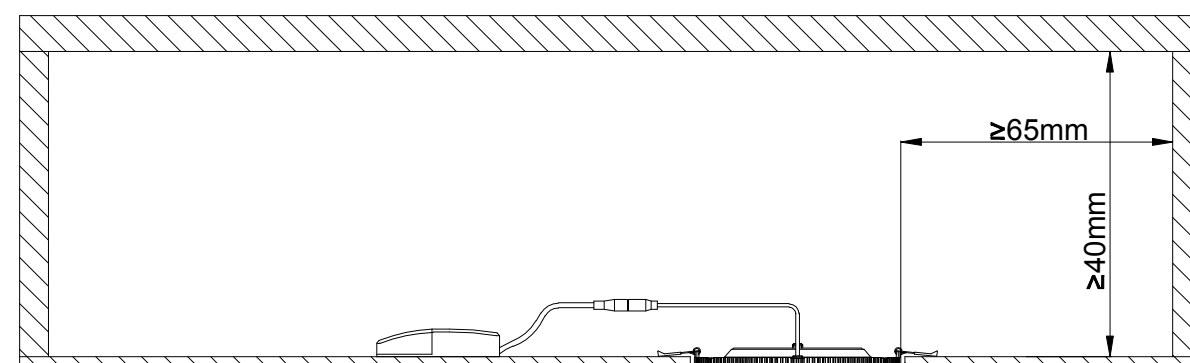
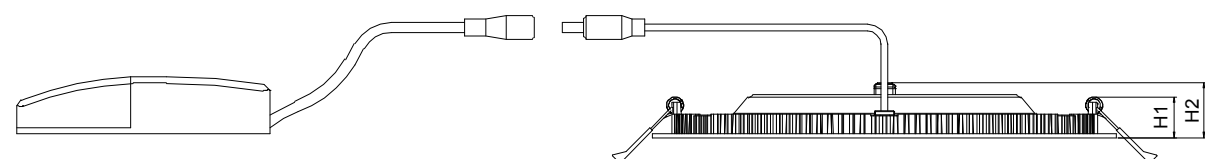
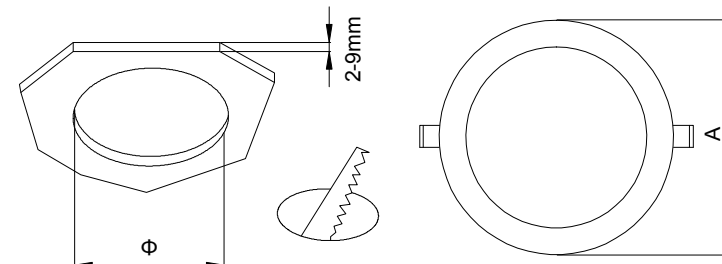
4. Light source can't be replaced.

The control gear provides basic insulation between the LV supply and the control circuit.

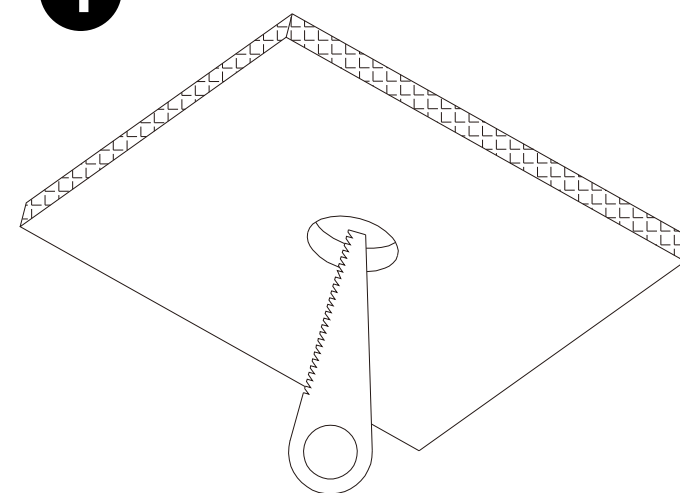


Product Description	Wattage	SAP code
ZOE VARIO LED DL 130 700 830/35/40	9W	96632685
ZOE VARIO LED DL 170 1000 830/35/40	12W	96632686
ZOE VARIO LED DL 210 1600 830/35/40	18W	96632687
ZOE VARIO LED DL 210 2000 830/35/40	22W	96632688

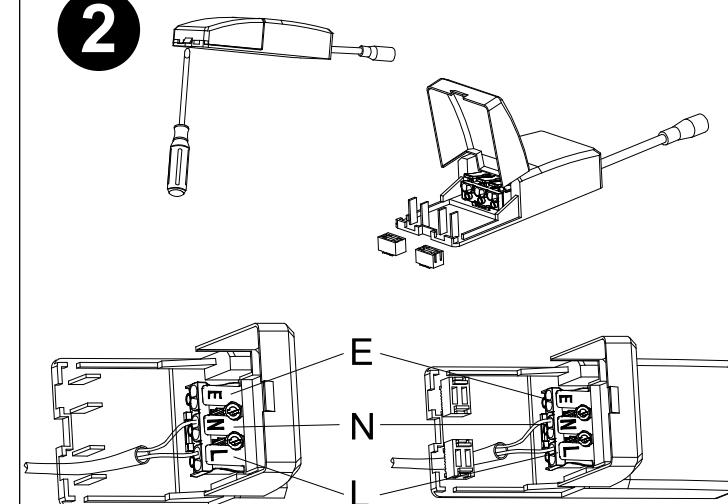
	A	H1	H2	Φ
8W	145mm	20mm	26mm	130mm
12W	180mm	20mm	26mm	170mm
18W	220mm	20mm	26mm	210mm
22W	220mm	20mm	26mm	210mm



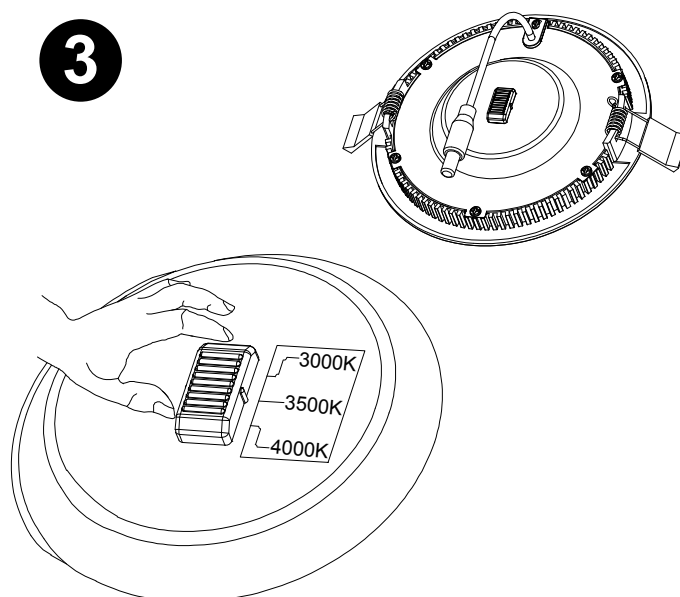
1



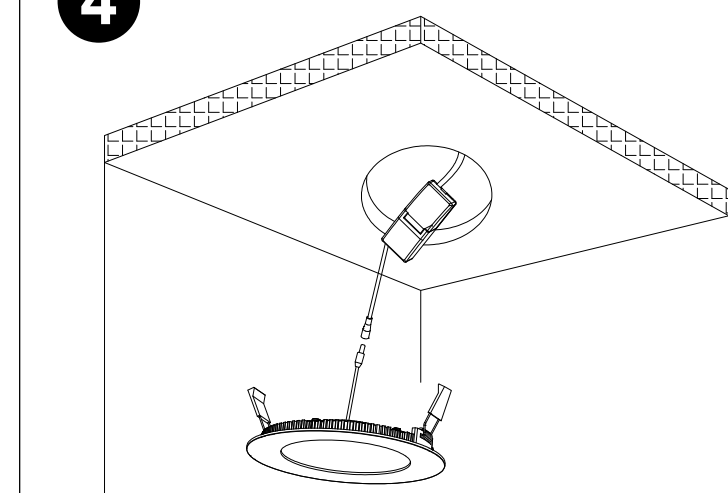
2



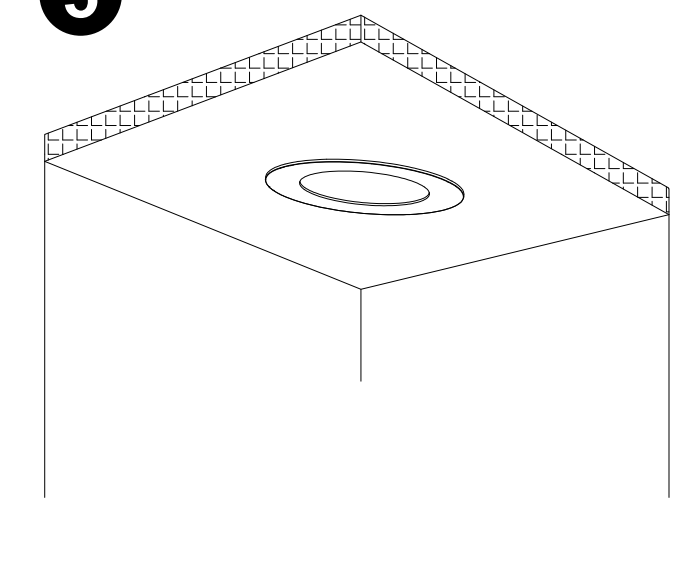
3



4



5



CE **IP44**

Zumtobel LIGHTING GmbH
 Schweizer Strasse 30 A-6851 Dornbirn AUSTRIA
 URL: www.thorn-eco.com