

Connector - with TE screw terminals, for harsh applications



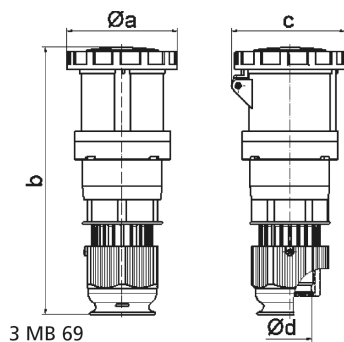
Product description	
BALS-Prd.-Nr	31045
EAN	4024941310451
Product category	Connector TE
Current	125A
Number of poles	4p
Arrangement of phases	3P+PE
Position of earth contact	5 h
Voltage	600 - 690V~

Product description	
Frequency	50/60Hz
Protection degree	IP67
Colour code	black RAL 9005
Colour of appliance	Pusher grey RAL 7035, Hinged lid black RAL 9005, Bayonet ring grey RAL 7035, Housing cover grey RAL 7035, Collar grey RAL 7035
Connection design	screw terminal as box terminal with Kontex-contact
Maximum conductor size	50.0 qmm
Cable entry	Cable gland
Height	295mm
Width	125mm
Depth	128mm
Material of enclosure	Polyamide
Contacts	The contact carrier is made of high temperature resistant material, the contacts are brass nickel plated

Additional technical properties	
	For cable diameter from 26 up to max. 50 mm, Screwless housing connection, Multi-Grip cable gland with gasket, integrated cable clamp and additional water evacuation openings

Logistics data	
Weight/pcs	1.215 kg / Piece
Packaging	Bag

Logistics data	
Content amount	1 ST
EAN	4024941310451
Length	128 mm
Width	125 mm
Height	295 mm
Weight	1.216 kg
Volume	4,720 ccm
Packaging	Carton
Content amount	5 ST
EAN	4024941823463
Length	345 mm
Width	345 mm
Height	217 mm
Weight	6.41 kg
Volume	24,276 ccm



Ampere	125	125	125					
Polzahl	3	4	5					
a ø	125,0	125,0	125,0					
b	300,0	300,0	300,0					
c	128,0	128,0	128,0					
d ø	50,0	50,0	50,0					
Leiter mm ² min	16	16	16					
Leiter mm ² max	50	50	50					