

Panel mounting socket outlet, straight - flange 72x65, fixing centers 52x52

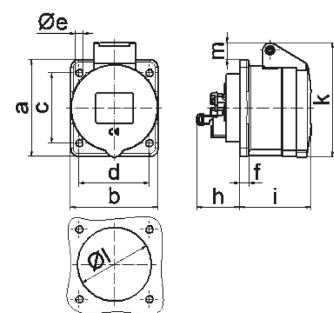


| Product description | |
|---------------------------|------------------------------------------------------|
| BALS-Prd.-Nr | 13680 |
| EAN | 4024941136808 |
| Product category | Panel mounting socket outlet Quick-Connect, straight |
| Current | 16A |
| Number of poles | 5p |
| Poles | 3p+N+PE |
| Position of earth contact | 9 h |
| Voltage | 120/208 up to 144/250V |

| Product description | |
|--------------------------------|------------------------------------------------------------------|
| Frequency | 50 and 60Hz |
| Protection degree | IP44 |
| Colour code | blue RAL 5015 |
| Colour of appliance | Hinged lid blue RAL 5015, Enclosure grey RAL 7035 |
| Connection design | screwless spring terminals as cage clamp with Kontex-contact |
| Maximum conductor size | 4,0 qmm |
| Cable entry | other |
| Height | 85mm |
| Width | 65mm |
| Depth | 90mm |
| Flange size vertical | 72mm |
| Flange size horizontal | 65mm |
| Drill hole distance vertical | 52mm |
| Drill hole distance horizontal | 52mm |
| Material of enclosure | Polyamide |
| Contact | The contact carrier is made of polyamide, The contacts are brass |

| Logistics data | |
|----------------|------------------|
| Weight/pcs | 0.135 kg / Piece |
| Packaging | Bag |
| Content amount | 1 ST |

| Logistics data | |
|----------------|---------------|
| EAN | 4024941136808 |
| Length | 90 mm |
| Width | 65 mm |
| Height | 85 mm |
| Weight | 0.136 kg |
| Volume | 4,735.104 ccm |
| Packaging | Carton |
| Content amount | 10 ST |
| EAN | 4024941828987 |
| Length | 275 mm |
| Width | 175 mm |
| Height | 137 mm |
| Weight | 1.475 kg |
| Volume | 5,737.5 ccm |



4 MB 100

| Ampere | 16 | 16 | 16 | | | | |
|----------------------------|------|------|------|--|--|--|--|
| Polzahl | 3 | 4 | 5 | | | | |
| a | 62,0 | 72,0 | 72,0 | | | | |
| b | 62,0 | 65,0 | 65,0 | | | | |
| c | 47,0 | 52,0 | 52,0 | | | | |
| d | 47,0 | 52,0 | 52,0 | | | | |
| e ø | 5,5 | 5,5 | 5,5 | | | | |
| f | 7,0 | 7,0 | 7,0 | | | | |
| h | 35,5 | 35,5 | 35,5 | | | | |
| i | 51,0 | 53,0 | 53,0 | | | | |
| k | 70,0 | 80,0 | 85,0 | | | | |
| ø | 45,0 | 45,0 | 55,0 | | | | |
| m | 10,0 | 9,0 | 13,0 | | | | |
| Leiter mm ² min | 1,5 | 1,5 | 1,5 | | | | |
| Leiter mm ² max | 4 | 4 | 4 | | | | |