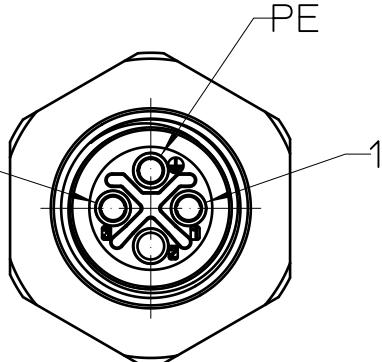
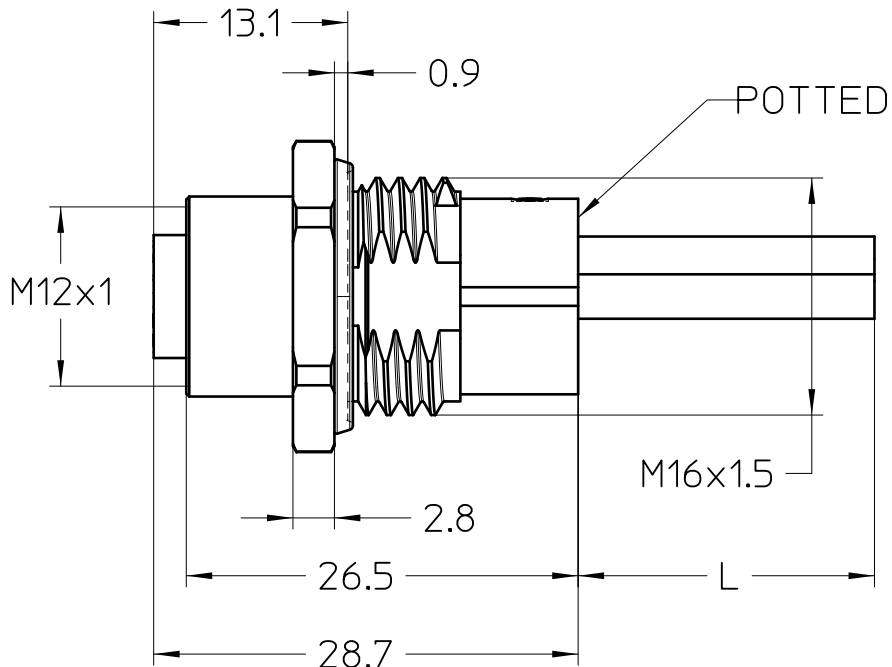
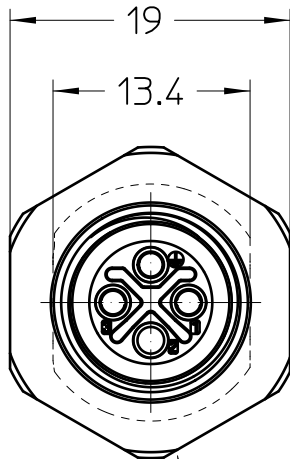


RI	date	revision	name	check.on	name



3	WHITE
2	-
1	BLACK
PE	GREEN/YELLOW
POSITION	COLOR

CONDUCTOR COLOR CHART

1329913	2.0 M
1329911	1.0 M
1329917	0.5 M
PART NUMBER	LENGTH

LENGTH "L"

THIS DRAWING IS THE PROPERTY OF PHOENIX CONTACT AND IS PROTECTED BY COPYRIGHT AND MAY NOT BE USED OR REPRODUCED WITHOUT AUTHORIZATION OF PHOENIX CONTACT

UNLESS OTHERWISE SPECIFIED DIMENSIONS ARE IN MILLIMETERS	00	date	name	ident.-No.	RI	material	scale	dim.var.
	creat.	26.09.22	uspn01	1329911	05	-	2:1	
PROJECTION TOLERANCES ANGLES X = ±.0 XX = ±.00 ±0.5°	check.	04.10.22	usrd03	SAP Change-No. NAB210002E12	part-rev. Relocation of assembly change			
	HARRISBURG, PA USA			document-type	document-No.	RI	surface in µm	
SIZE	THIS DRAWING IS PREPARED IN ACCORDANCE WITH ASME Y14.5M-1994			TECDOC 2D_Productdrawing	01486640	00		
A	page 1	of 1		description SACC-E-M12FSS-2PE-M16XL/1,0-US				