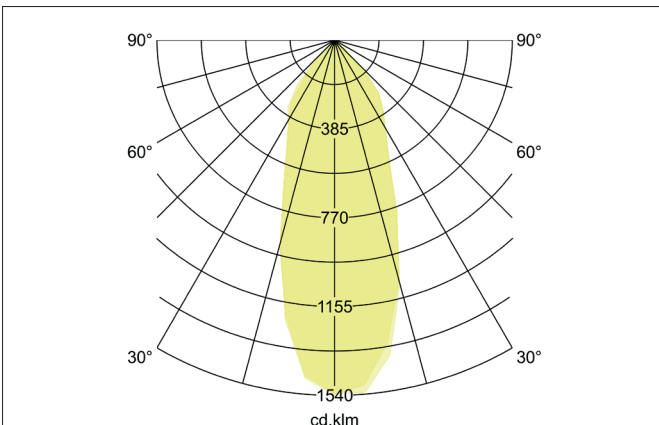
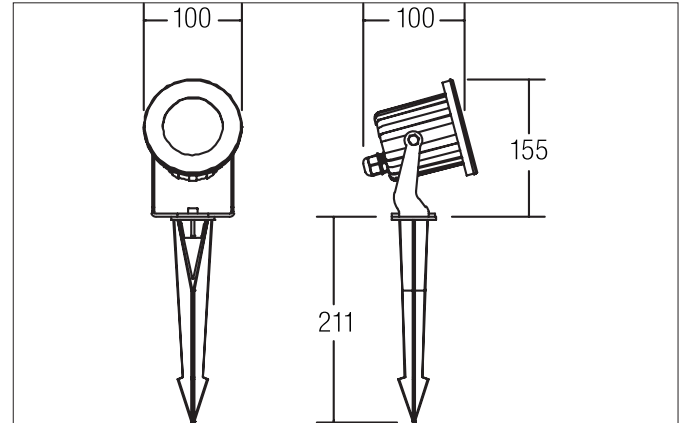


**STIRIUS LED ground spike spotlight 230V, 6W, IP65**  
 Article no. 60103223

Light.  
 For Generations.



**Tender**  
 LED ground spike spotlight 230V, 6W, IP65, Round. Installation opening Installation depth mm, Weight 0,750 Kg, with rotationssymmetrical, deep, wide distributed light intensity. optimal light distribution due to a glass transparent cover. Luminous flux 450 lm, Power 1 x 6 W, System Efficiency 75 lm/W, Light colour warm white, Correlated color temprature (CCT) 3.000 K, Colour rendering index CRI > 80, Permissible ambient temperature (ta): -20 °C - +25 °C, Protection class (EN 61140): I, Degree of protection (DIN EN 60529): IP65, Incl. converter for connection to the 230-V mains voltage, on/off, 2,000 mm connecting cable and plug. With electronic driver, on/off .

Article data	
Article no.	60103223
GTIN	4250047781561
Series name	STIRIUS
Short description	LED ground spike spotlight 230V, 6W, IP65
Material	Stainless steel / Aluminium / Glass
Colour	Black
Shape	Round
Outer diameter	100 mm
Hight	298 mm
Scope of delivery	Incl. converter for connection to the 230-V mains voltage, on/off, 2,000 mm connecting cable and plug.
Weight	0.750 kg

**STIRIUS LED ground spike spotlight 230V, 6W, IP65**

Article no. 60103223

Light.  
For Generations.

Lighting technology	
Colour temperature	3.000 K
Light colour	White
Luminous flux	450 lm
System efficiency	75 lm/W
Colour rendering	CRI > 80
Reflector	High-gloss
Beam angle	40°
Light sharing	Symmetric

Operating technology of the luminaire	
System output	6 W
Voltage type	AC
AC nominal voltage max	230 V
Frequenz max.	50 Hz
Lamp	LED
Protection class	I
Degree of protection	IP65
Control	on/off
Bulb change possible	The light source of this luminaire may only be replaced by the manufacturer or a service technician commissioned by him or a similarly qualified person.

Mounting technology	
Mounting method	Recessed mounting
Place of installation	Floor-mounted
Adjustability	Head adjustable
Swivel angle	90°
Rotation angle	355°
Material cover	Glass transparent

Packing data	
Gross weight	0.978 kg
Length of packaging	115 mm
Packaging width	115 mm
Packaging height	220 mm
Disposal at end of life	This product must not be disposed of with household waste. You are obliged, to dispose of such electrical waste separately. By disposing of electrical waste and other old or defective electronics separately, you support recycling or other forms of re-use. In that way you help to take care and to avoid that harmful substances get into the environment.