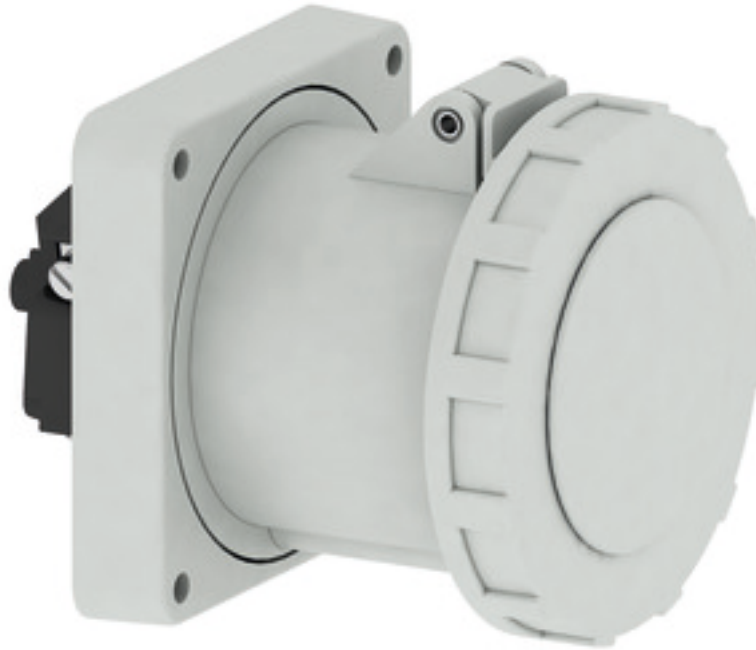


## Panel mounting socket outlet, straight - flange 120x120, fixing centers 100x100

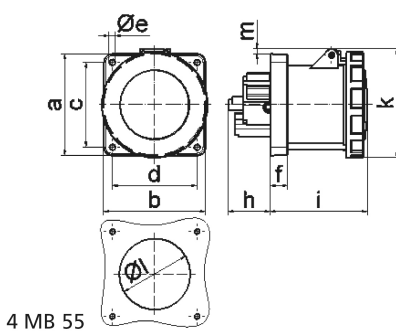


Product description	
BALS-Prd.-Nr	13613
EAN	4024941136136
Product category	TE panel mounting socket outlet, straight
Current	125A
Number of poles	5p
Poles	3p+N+PE
Position of earth contact	1 h

Product description	
Voltage	>50V for all other not classified voltages and/or frequencies. This time position can additionally process in special applications, in which a distinction to standardized positions needed to be used.
Protection degree	IP67
Colour code	gray RAL 7035
Colour of appliance	Hinged lid grey RAL 7035, Bayonet ring grey RAL 7035, Enclosure grey RAL 7035
Connection design	screw terminal as box terminal with Kontex-contact
Maximum conductor size	70.0 qmm
Cable entry	other
Height	129mm
Width	125mm
Depth	166mm
Flange size vertical	120mm
Flange size horizontal	120mm
Drill hole distance vertical	100mm
Drill hole distance horizontal	100mm
Material of enclosure	Polyamide
Contact	The contact carrier is made of high temperature resistant material, the contacts are brass nickel plated

Logistics data	
Weight/pcs	1.125 kg / Piece

Logistics data	
Packaging	Carton
Content amount	5 ST
EAN	4024941836180
Length	330 mm
Width	216 mm
Height	260 mm
Weight	5.851 kg
Volume	17,062.5 ccm



Ampere Polzahl	125 3	125 4	125 5			
a	120,0	120,0	120,0			
b	120,0	120,0	120,0			
c	100,0	100,0	100,0			
d	100,0	100,0	100,0			
e ø	6,5	6,5	6,5			
f	21,0	21,0	21,0			
h	50,0	50,0	50,0			
i	117,0	117,0	117,0			
k	129,0	129,0	129,0			
l ø	104,0	104,0	104,0			
m	6,0	6,0	6,0			
Leiter mm <sup>2</sup> min	25	25	25			
Leiter mm <sup>2</sup> max	70	70	70			