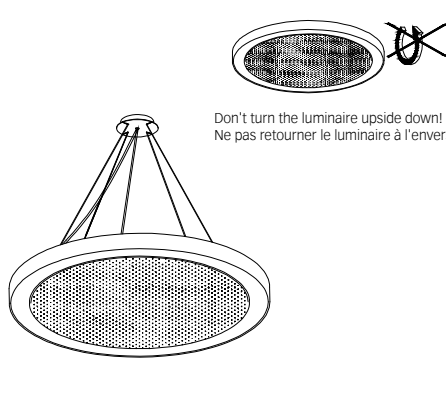


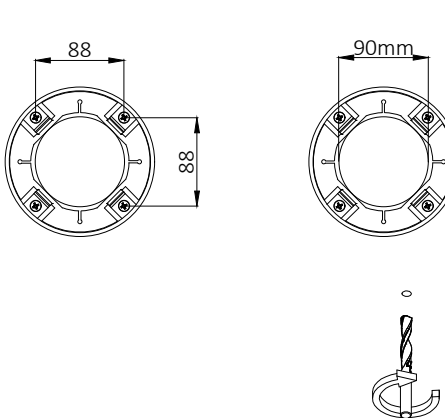
## RINGO STAR ACOUSTIC G3/P3 | SYSTEM 60MM SUSPENDED -CENTRAL SUSPENSION

### 1. MONTAGE UND INSTALLATION | MOUNTING AND INSTALLATION:

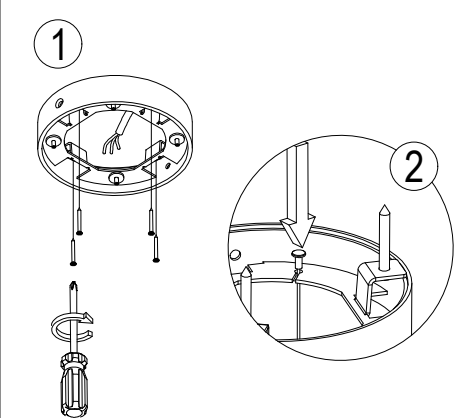


Don't turn the luminaire upside down!  
 Ne pas retourner le luminaire à l'envers!

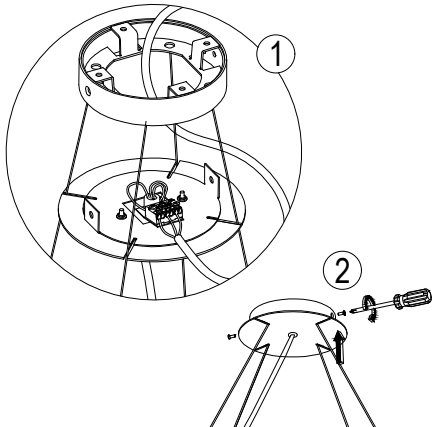
1. Bei allen Montagearbeiten Handschuhe tragen.  
 Use gloves when handling the fixture.



2. Montageöffnungen.  
 Installation openings.

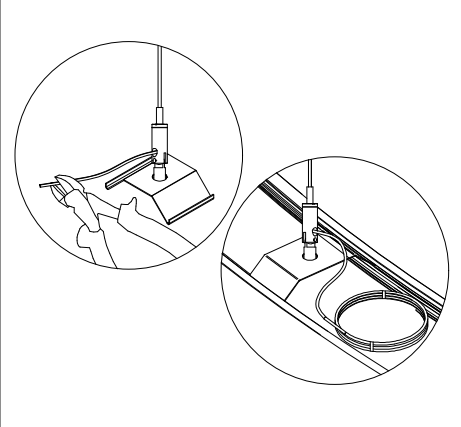


3. Leitungseinführung.  
 Cable entry point.

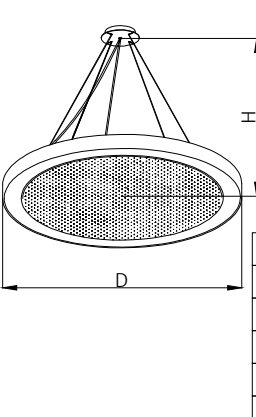


4. - min/max stripped wire length: 7mm-10mm  
 - max power supply cable: 1,5mm<sup>2</sup>

5.

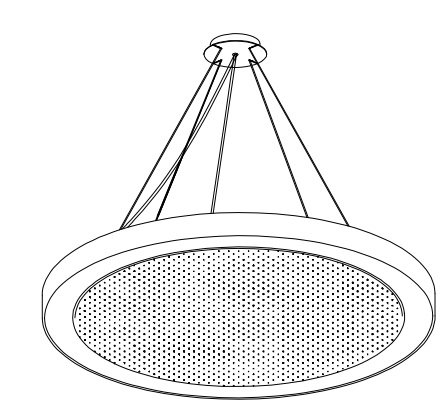


6. **IMPORTANT!**  
 After levelling the luminaire at the desired height, cut off the excess of the suspension cord or roll it up and secure it to avoid a short-circuit caused by contact with the light sources.



D[mm]	H[mm]
600	500
900	700
1200	1000
1500	1500
2000	2000

7.



8.