

Connector - with screwless terminals, for harsh applications



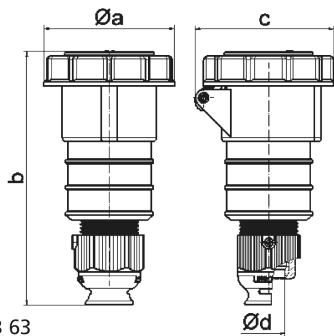
Product description	
BALS-Prd.-Nr	31307
EAN	4024941313070
Product category	Connector QUICK-CONNECT TE
Current	32A
Number of poles	3p
Arrangement of phases	2P+PE
Position of earth contact	4 h
Voltage	100 - 130V~

Product description	
Frequency	50/60Hz
Protection degree	IP67
Colour code	yellow RAL 1012
Colour of appliance	Hinged lid yellow RAL 1012, Enclosure yellow RAL 1012, Bayonet ring grey RAL 7035, Cable gland grey RAL 7035
Connection design	screwless spring terminals as cage clamp with Kontex-contact
Maximum conductor size	6,0 qmm
Cable entry	Cable gland
Height	198mm
Width	94mm
Depth	97mm
Material of enclosure	Polyamide
Contacts	The contact carrier is made of high temperature resistant material, the contacts are brass nickel plated

Additional technical properties	
	For cable diameter from 11 up to max. 23,5 mm, Multi-Grip cable gland with gasket, integrated cable clamp and additional water evacuation openings

Logistics data	
Weight/pcs	0.322 kg / Piece
Packaging	Bag

Logistics data	
Content amount	1 ST
EAN	4024941313070
Length	97 mm
Width	94 mm
Height	198 mm
Weight	0.323 kg
Volume	1,805.364 ccm
Packaging	Carton
Content amount	10 ST
EAN	4024941823524
Length	325 mm
Width	217 mm
Height	210 mm
Weight	3.426 kg
Volume	13,588.4 ccm

	Ampere	16	16	16	32	32	32
	Polzahl	3	4	5	3	4	5
	a ø	70,5	78,0	86,5	94,0	94,0	101,5
	b	161,0	161,0	168,0	196,0	196,0	200,0
	c	77,0	83,0	93,0	99,0	99,0	107,0
	d ø	18,0	18,0	21,0	23,0	23,0	27,0
	Leiter mm ² min	1	1	1	2,5	2,5	2,5
	Leiter mm ² max	2,5	2,5	2,5	6	6	6