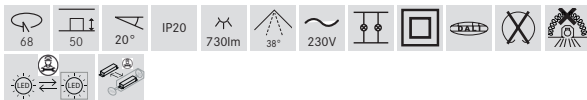
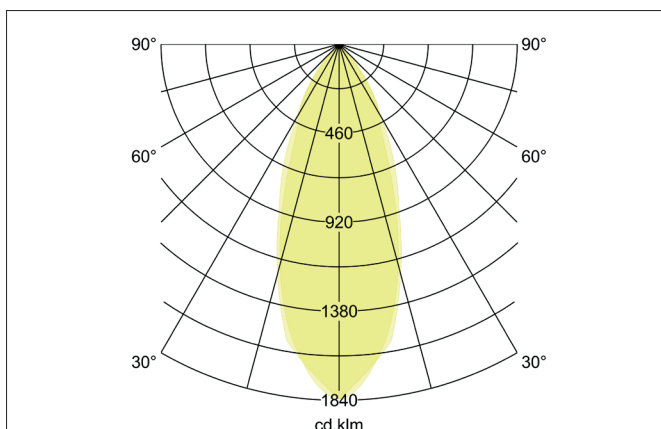
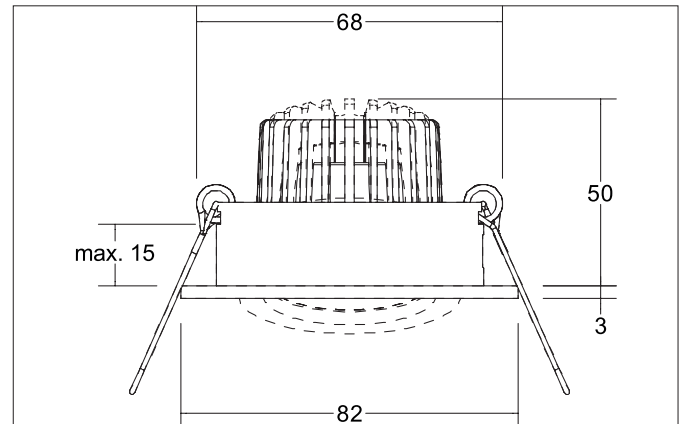



**TIRREL-R LED recessed spot set, DALI dimmable, incl. connection box**

Article no. 41443653


**Tender**

Round LED recessed spotlight set, DALI dimmable, with connection box, tool-free ceiling installation using installation springs. Ceiling cut-out Ø 68 mm, installation depth 50 mm, outer diameter 82 mm, weight 0.277 kg, silver reflector with rotationally symmetrical deep-wide beam light distribution. Cover glass transparent, rated luminous flux 730 lm, rated wattage 1 x 6 W, light color warm white, most similar color temperature (CCT) 3,000 K, general color rendering index CRI > 80, housing material: aluminum / glass / plastic, color: brown metallic, permissible ambient temperature (ta): -20 °C - +25 °C, protection class (EN 61140): II, degree of protection (DIN EN 60529): IP20. With electronic control gear, DALI-2 dimmable.

**Product Benefits**

- LED-Einbaustrahler in runder Bauform aus massivem Aluminium mit LED-Modul 6 W (3.000 K) und dimmbarem DALI-Konverter OHNE Glow-in-the-dark-Effekt.
- Auslieferung mit 5-poliger Anschlussbox.
- Deckenausschnitt 68 mm, Durchmesser 82 mm, Einbautiefe 50 mm, IP20.
- Schwenkbereich 20°.
- Große Farbvarianz. Ohne sichtbaren Sprengring.
- Klassische, formal zurückgenommene Formgebung.
- In gleicher Optik auch in GX5,3- oder GU10-Ausführung und als dimmbares Set Phasenabschnitt oder DALI und als Lautsprecher ausgeführt lieferbar.
- Zudem in gleicher Oberflächenstruktur und in gleicher Farbe auch in Ausführung quadratisch verfügbar.


**TIRREL-R LED recessed spot set, DALI dimmable, incl. connection box**

Article no. 41443653

Article data	
Article no.	41443653
GTIN	4255752525028
Series name	TIRREL-R
Short description	LED recessed spot set, DALI dimmable, incl. connection box
Material	Aluminium / Glass / Plastic
Colour	brown metallic
Type of surface	Matt
Shape	Round
Outer diameter	82 mm
Built-in diameter	68 mm
Installation depth	50 mm
Hight	3 mm
Scope of delivery	inkl. Anschlussbox, 5-polig
Weight	0.277 kg
Conformance	CE, UKCA

Lighting technology	
Colour temperature	3.000 K
Light output	Direct
Luminous flux	730 lm
System efficiency	122 lm/W
Colour rendering	CRI > 80
Reflector	Faceted
Reflector colour	silver
Beam angle	38°
Light sharing	Symmetric
Adjustable color temperature	No

Operating technology of the luminaire	
System output	6 W
Voltage type	AC
AC nominal voltage max	230 V
Frequency max	50 Hz
Lamp	LED
Protection class	II
Degree of protection	IP20
Dimmable	Yes
Control	DALI-2
Bulb change possible	The light source of this luminaire may only be replaced by the manufacturer or a service technician commissioned by him or a similarly qualified person.
Energy efficiency class	nicht erforderlich

Operating technology of the luminaire	
Article No. of used light source	12924383
Hight	32 mm
Diameter	50 mm
Lamp holder	Plug&Play
Power	6 W
Voltage type	DC
Current	350 mA
Lamp	LED
Protection class	III
Degree of protection	IP20
Energy efficiency class	D
Bulb change possible	The light source of this luminaire may only be replaced by the manufacturer or a service technician commissioned by him or a similarly qualified person.


**TIRREL-R LED recessed spot set, DALI dimmable, incl. connection box**

Article no. 41443653

Operating technology of driver	
Article No. of used driver	17684020
Length	130 mm
Width	42 mm
Hight	22 mm
AC nominal voltage min	198 V
AC nominal voltage max	264 V
Frequency max	60 Hz
Dimmable	Yes
Control	DALI-2
Starting current	1 A, 15,2 $\mu$ s
Power min	2.8 W
Power	7 W
Output current	350 mA
Degree of protection	IP20
Protection class	II
Flicker-free	Yes

Mounting technology	
Mounting method	Recessed mounting
Place of installation	Ceiling-mounted
Adjustability	Pivoted
Swivel angle	20°
Max. ceiling thickness	15 mm
Further references	No cover with thermal insulation material
Material cover	Glass transparent
Circlip	Without circlip
Suitable for through-wiring	Yes

Packing data	
Gross weight	0.345 kg
Length of packaging	100 mm
Packaging width	100 mm
Packaging hight	100 mm
Disposal at end of life	This product must not be disposed of with household waste. You are obliged, to dispose of such electrical waste separately. By disposing of electrical waste and other old or defective electronics separately, you support recycling or other forms of re-use. In that way you help to take care and to avoid that harmful substances get into the environment.

**Optional accessories**